

## Wireless Transmitter and Receiver

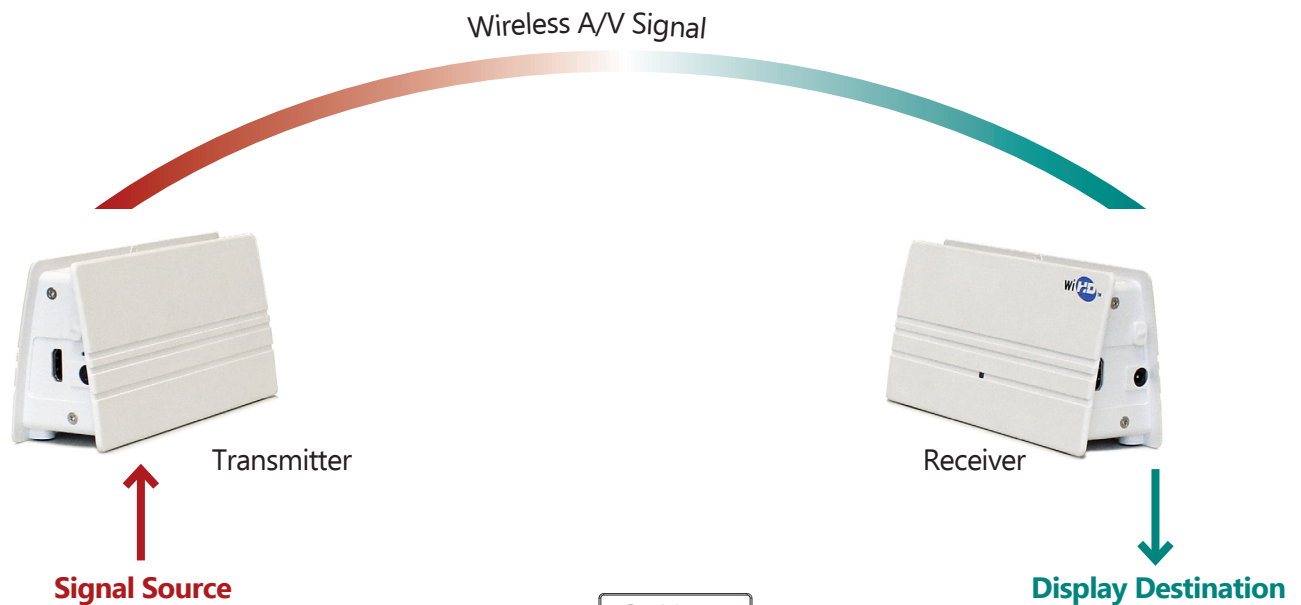
Hard-wired video connections in the OR may not be best for all applications. With FSN's wireless system, video carts or stands can be completely mobile, allowing for flexible equipment layouts. Fewer wires on the OR floor can help eliminate tripping hazards. Without the need to connect and disconnect wires from equipment, turn-around time in the OR is fast and efficient.

### Key Features

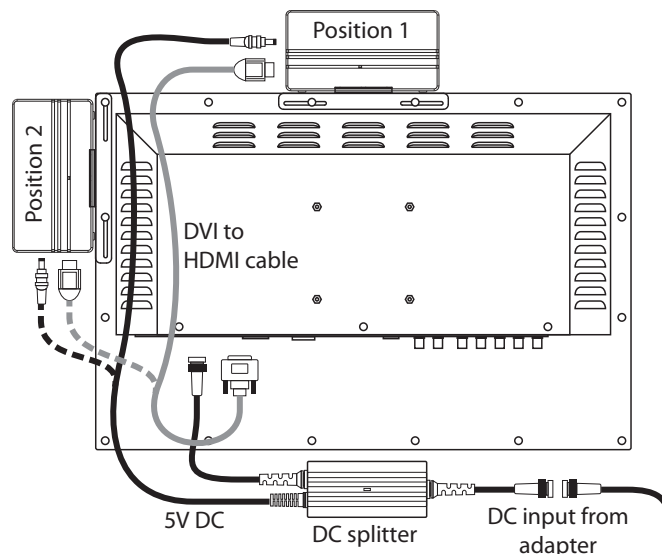
- HD video transmission without compression
- Zero latency, video image does not lag or stall
- Signal is encrypted and bonds 1-to-1, no crosstalk
- Range is designed to stay within one room
- FDA 510k clearance



*Eliminate cumbersome cross-room cables or wires!*



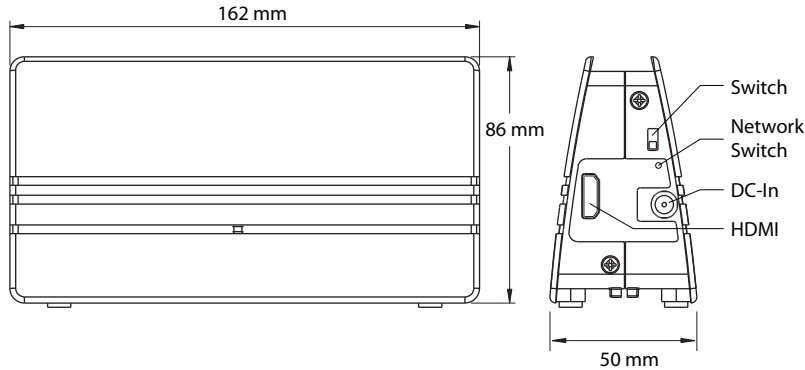
Units can mount to the top or sides of a display monitor.



### Use Power from the Display

The DC Splitter is a convenient way to further reduce cords and wires from a video display system. It uses power from a monitor's cord and connects to the WIS1000 wireless unit.

## Specifications



### General Specifications

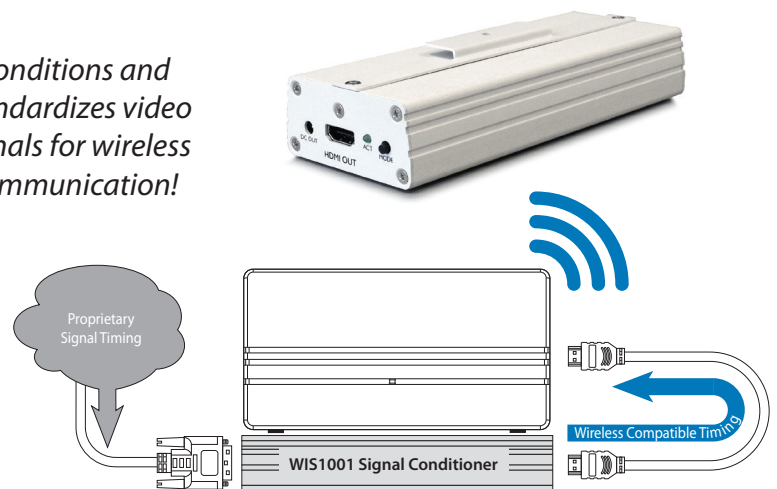
| Item                        | Description  |
|-----------------------------|--|
| Standards                   | WIS1000 WirelessHD, HDMI(V1.4a)  |
| Frequency                   | 60 GHz   |
| Input/Output Interface      | HDMI interface   |
| Antenna Type                | 32 Antenna Array (Integrate Ceramic)   |
| Range                       | 10 meters in-room usage  |
| AV Port                     | Transmitter : 1 Port (CEC pass through) Receiver : 1 Port (CEC pass through)   |
| Physical Specifications     | Weight : 242 g (TX) / 242 g (RX)<br>Dimension : 162.0 * 86.0 * 50.0 mm (Tx) and (Rx)   |
| Adapter Power               | AC/DC adapter, BPM010S05F02 AC 90-240~, 50-60Hz input, DC +5V 2.0A   |
| LED Indicators              | One LED display, power indication  |
| Environment Specification   | <u>Operating Conditions</u><br>Temperature: 0°C ~ 40°C (32° ~ 104°F) Humidity: 5% ~ 85%  |
| Compliance & Certifications | FDA Class II 510(k), UL 60601-1, CAN/CSA-C22.2 No.601.1-M90, FCC Part 15C, MDD Class I, IEC60601-1, EN60601-1-2, R&TTE(EN301 489-1, EN301 489-17, EN302-567, EN62311, EN60950-1) |

## Signal Conditioner

The WIS1001 is a converter and scaler created to provide a "clean" output signal complying with industry standards. It shapes and synchronizes a video signal, up or down, in order to make the signal compatible with wireless transmission. WIS1001 is designed primarily to be used with FSN's WIS1000 wireless transceiver system.

- Scales a video signal, up or down, for optimum wireless transmission
- Mounts as a base to WIS1000 wireless transceivers
- Supports high quality 1080p video
- Optional VESA mount bracket

*Conditions and standardizes video signals for wireless communication!*



Specifications are subject to change with or without notice. Doc. # FSN1926 Rev. 03/15

www.fsnmed.com

Foreseeson Custom Displays, Inc.  
2210 E. Winston Road  
Anaheim, CA 92806 USA  
Tel: 714-300-0540  
Fax: 714-300-0546

San Jose, CA Tel: 714-507-3851  
Fort Lee, NJ Tel: 714-507-3852

Foreseeson Korea  
404B, PangyoInnovalley B  
253 Pangyo-ro  
Bundang-gu Seongnam-si  
Gyeonggi-do, Korea 463-400  
Tel: +82-31-8018-0780  
Fax: +82-31-8018-0786

Foreseeson GmbH  
Industriestrasse 38a  
63150 Heusenstamm, Germany  
Tel: +49 6104 64398 0  
Fax: +49 6104 64398 11

Foreseeson UK Ltd.  
Unit 71 Barwell Business Park  
Leatherhead Road  
Cheshington, Surrey KT9 2NY  
Tel: +44 (0) 208 546 1047

Foreseeson (Shanghai)  
Medical Equipment Co., Ltd.  
Room 307, 3F  
No. 56, 461 Hongcao Road  
Caohejing Development District  
Xuhui, Shanghai 200233  
Tel: 86-21-6113-4188