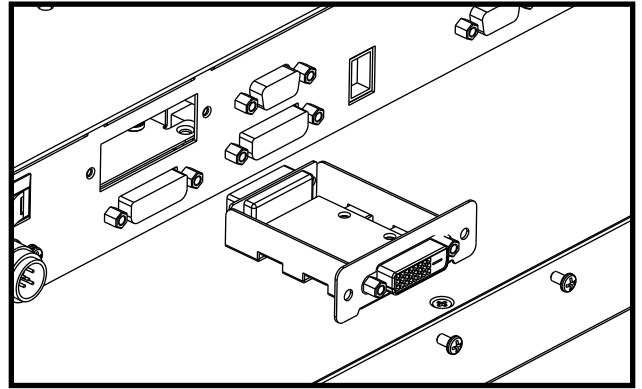
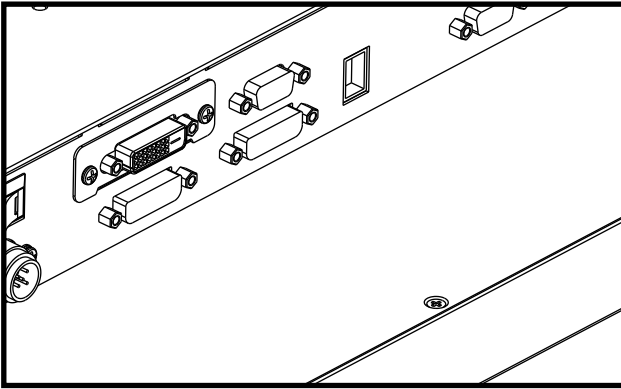


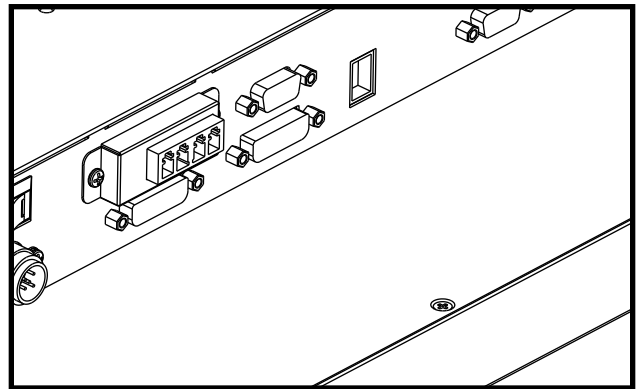
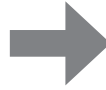
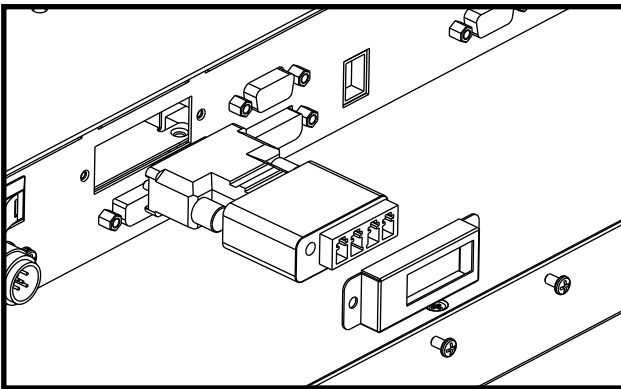
Display Monitor Fiber Module Installation

Remove the existing DVI 2 connector by loosening 2 screws on the bracket.



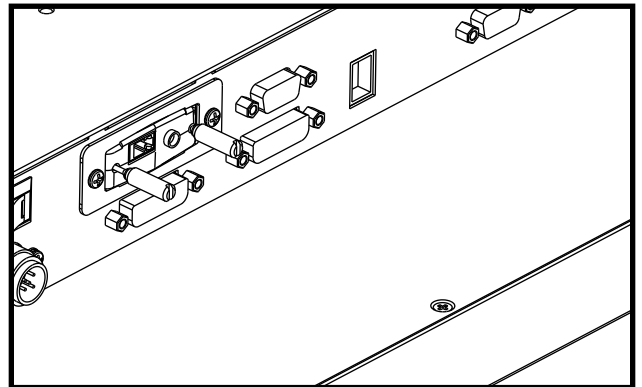
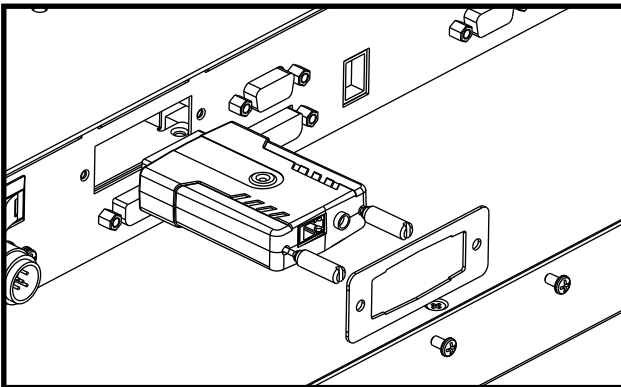
Adding DDL (4 channel LC)

Insert the DDL receiver into the vacant DVI 2 slot and secure the DDL bracket with two screws.



Adding DOL (1 channel LC)

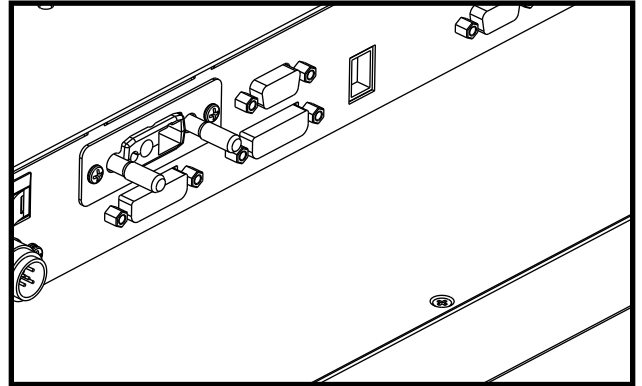
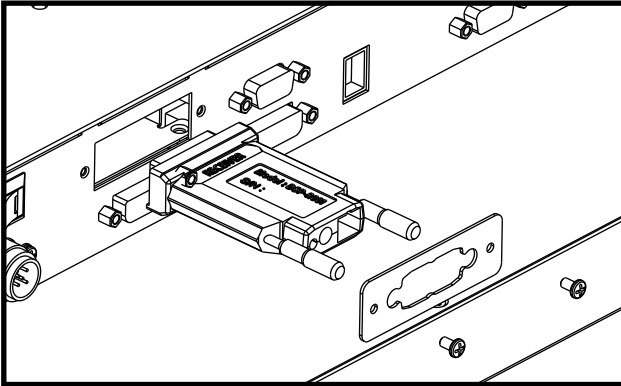
Insert the DOL receiver into the vacant DVI 2 slot and secure the DOL bracket with two screws.



Display Monitor Fiber Module Installation

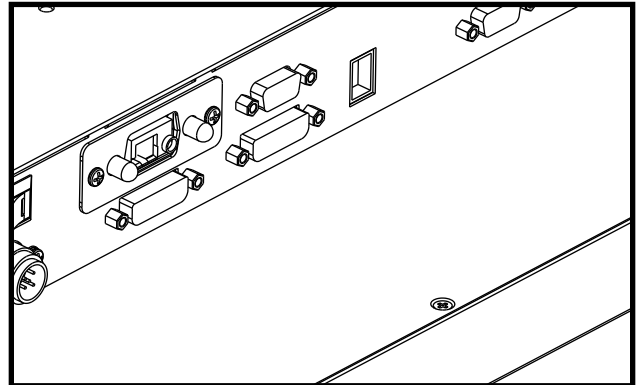
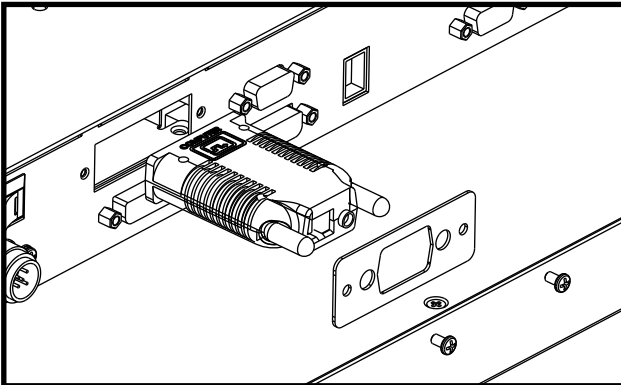
Adding DSP (1 channel SC)

Insert the DSP receiver into the vacant DVI 2 slot and secure the DSP bracket with two screws.



Adding DSL (1 channel LC)

Insert the DSL receiver into the vacant DVI 2 slot and secure the DSL bracket with two screws.



Brackets for fiber module installation

Fiber extender	Order code	Drawing	Application models
DDL	639494070400		FS-L240*D FS-L260*D FS-P260*D FS-L320*D FS-L420*D FS-L550*D < * means numeric depend on customer >
DOL	639494083000		
DSP/DSK	639494070300		
DSL	639494083100		