

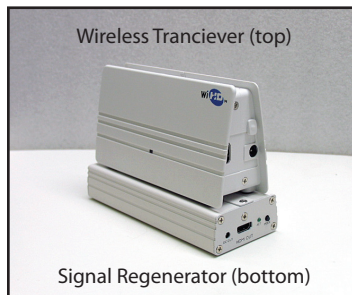
## Signal Conditioner and Scaler for Wireless Transmission

The WIS1001 is a signal conditioner and scaler for single link DVI to HDMI conversion. It shapes and synchronizes a video signal, up or down, in order to make the signal compatible with wireless transmission. The WIS1001 is designed primarily to be used with FSN's WIS1000 wireless transceiver system.

In applications where there are mismatched resolutions, it helps establish a solid wireless connection between endoscopic cameras or other medical video equipment, and medical display monitors. WIS1001 can automatically establish a common resolution between different video sources and displays. This is especially useful when multiple components and signal types are used as sources in a wireless video setup.

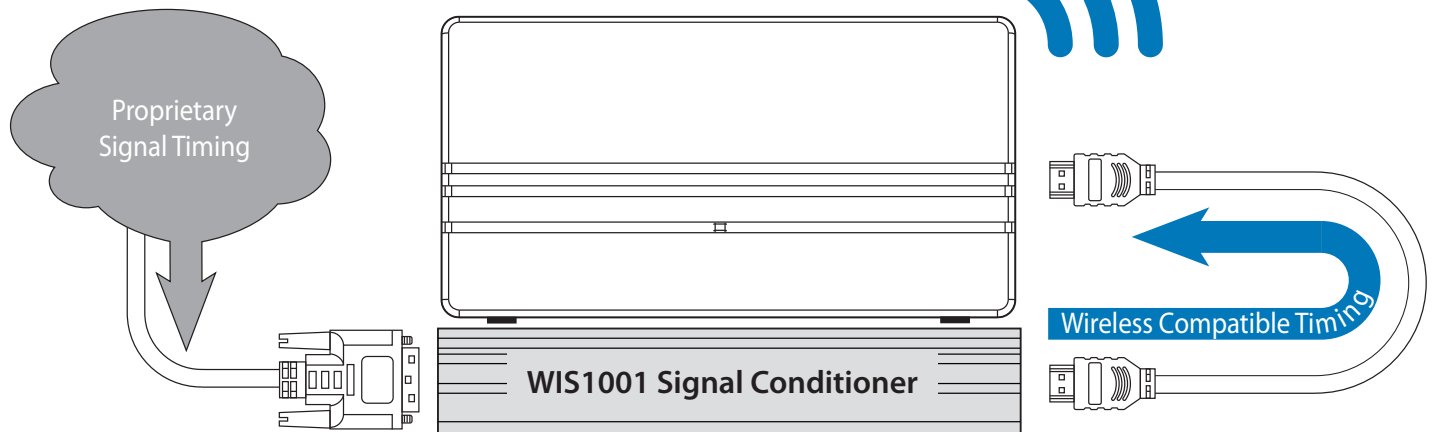


- Scales a video signal, up or down, for optimum wireless transmission
- Mounts as a base to WIS1000 wireless transceivers
- Supports high quality 1080p video
- Optional VESA mount bracket



*The WIS1001 is designed to be used with, and easily connected to, FSN's wireless WIS1000 product.*

*Conditions and standardizes video signals for wireless communication!*



www.fsnmed.com

Foreseeson Custom Displays, Inc.  
2210 E. Winston Road  
Anaheim, CA 92806 USA  
Tel: 714-300-0540  
Fax: 714-300-0546

San Jose, CA Tel: 714-507-3851  
Fort Lee, NJ Tel: 714-507-3852

Foreseeson Korea  
404B, PangyoInnov Valley B  
253 Pangyo-ro  
Bundang-gu Seongnam-si  
Gyeonggi-do, Korea 463-400  
Tel: +82-31-8018-0780  
Fax: +82-31-8018-0786

Foreseeson GmbH  
Industriestrasse 38a  
63150 Heusenstamm, Germany  
Tel: +49 6104 64398 0  
Fax: +49 6104 64398 11

Foreseeson UK Ltd.  
Unit 71 Barwell Business Park  
Leatherhead Road  
Chessington, Surrey KT9 2NY  
Tel: +44 (0) 208 546 1047

Foreseeson (Shanghai)  
Medical Equipment Co., Ltd.  
Room 307, 3F  
No. 56, 461 Hongcao Road  
Caohejing Development District  
Xuhui, Shanghai 200233  
Tel: 86-21-6113-4188

## Specifications

### General Specifications

Item	Description
Frequency	VGA to WUXGA, 480i~1080p
Input/Output Interface	Input : DVI-D interface with EDID Output : HDMI interface
Physical Specifications	Weight : 290 g (without wireless bracket) Dimension : 166.5mm (6.56") x 66.0mm (2.6") x 30.8 mm (1.21") (without wireless bracket)
Adapter Power	AC 90-240~ ,50-60Hz input, DC +5V 2.0A
Regulatory	CE,FCC Certified
Power consumption	2 W max
Mode select	12 mode output select by pressing switch. 640x480@60 / 800x600@60 / 1024x768@60 / 1280x1024@60 / 1680x1050@60 / 480p60 / 576p50 / 720p50 / 720p60 / 1080p24 / 1080p50 / 1080p60
LED Indicators	One LED display / power state indication Green : normal operation    Blinking : mode change    Off: power off

### Input PC Timing

Resolution	Resolution	Resolution	Resolution
640 x 350 @60Hz	640 x 350 @70Hz	640 x 350 @85Hz	640 x 400 @60Hz
640 x 400 @70Hz	640 x 400 @85Hz	640 x 480 @60Hz	640 x 480 @67Hz
640 x 480 @72Hz	640 x 480 @75Hz	640 x 480 @85Hz	640 x 870 @75Hz
720 x 400 @85Hz	800 x 600 @56Hz	800 x 600 @60Hz	800 x 600 @72Hz
800 x 600 @75Hz	800 x 600 @85Hz	832 x 624 @60Hz	832 x 624 @75Hz
1024 x 768 @60Hz	1024 x 768 @70Hz	1024 x 768 @75Hz	1024 x 768 @85Hz
1152 x 864 @60Hz	1152 x 864 @70Hz	1152 x 864 @75Hz	1152 x 870 @75Hz
1280 x 768 @60Hz	1280 x 768 @75Hz	1280 x 768 @85Hz	1280 x 960 @60Hz
1280 x 960 @85Hz	1280 x 1024 @60Hz	1280 x 1024 @75Hz	1280 x 1024 @85Hz
1360 x 768 @60Hz	1360 x 768 @75Hz	1360 x 768 @85Hz	1400 x 1050 @60Hz
1600 x 1200 @60Hz	1680 x 1050 @60Hz	1920 x 1200 @60Hz	

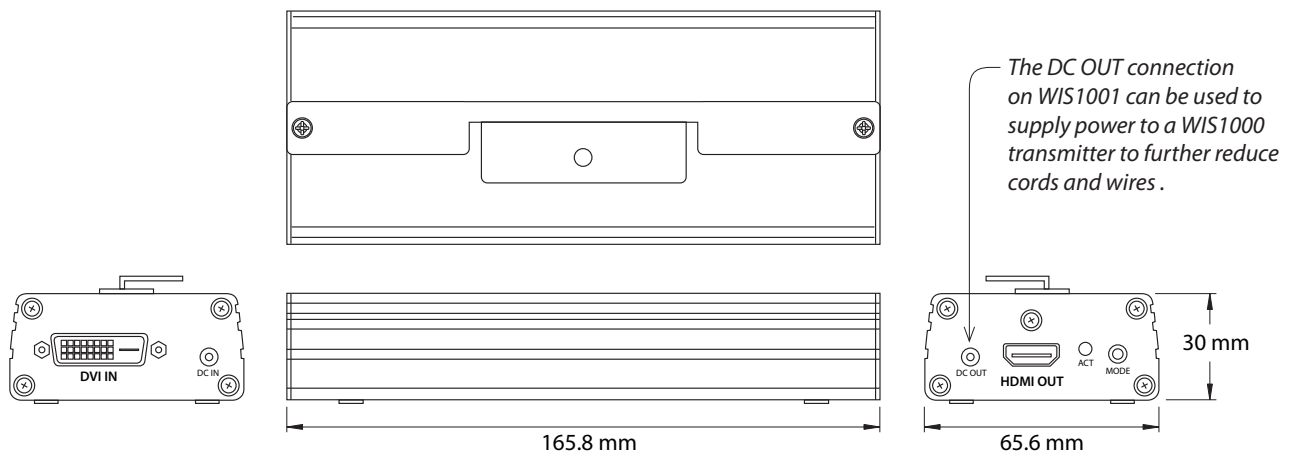
### Input TV Timing

Resolution	Resolution	Resolution	Resolution
480i@29	480i@30	480p@59	480p@60
576i@25	576p@50	720p@50	720p@59
720p@60	1080i@29	1080i@30	1080i@60
1080p@23	1080p@24	1080p@59	1080p@60

### Output Timing

Resolution	Resolution	Resolution	Resolution
1:1 copy	480p@60	576p@55	720p@50
720p@60	1080p@24	1080p@50	1080p@60
640x480@60	800x600@60	1024x768@60	1280x1024@60
1680x1050@60			

\* Output timing can be changed by pressing switch orderly.



Specifications are subject to change with or without notice. Doc. # FSN1959 Rev. 08/14

www.fsnmed.com

Foreseeson Custom Displays, Inc.  
2210 E. Winston Road  
Anaheim, CA 92806 USA  
Tel: 714-300-0540  
Fax: 714-300-0546

San Jose, CA Tel: 714-507-3851  
Fort Lee, NJ Tel: 714-507-3852

Foreseeson Korea  
404B, PangyoInnovalley B  
253 Pangyo-ro  
Bundang-gu Seongnam-si  
Gyeonggi-do, Korea 463-400  
Tel: +82-31-8018-0780  
Fax: +82-31-8018-0786

Foreseeson GmbH  
Industriestrasse 38a  
63150 Heusenstamm, Germany  
Tel: +49 6104 64398 0  
Fax: +49 6104 64398 11

Foreseeson UK Ltd.  
Unit 71 Barwell Business Park  
Leatherhead Road  
Chessington, Surrey KT9 2NY  
Tel: +44 (0) 208 546 1047

Foreseeson (Shanghai)  
Medical Equipment Co., Ltd.  
Room 307, 3F  
No. 56, 461 Hongcao Road  
Caohejing Development District  
Xuhui, Shanghai 200233  
Tel: 86-21-6113-4188