

# 32" 3D 4K Medical Display

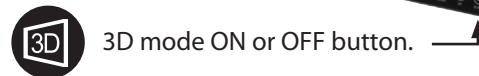
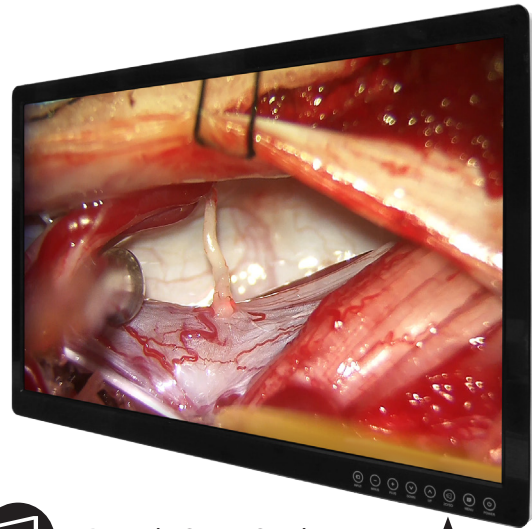
## FM-E3204DGC



- High brightness level.
- Enable and select the best 3D format via the OSD interface.
- Fast detection of MIS camera system video.

### 3D Technology for the OR

Using specialized imaging systems, 3D visualization allows medical professionals to see spatial relationships and more life-like depth perception during a procedure. FM-E3204DGC monitors deliver super-sharp images using both 2D and 3D video sources. The clarity and color of 4K UHD brings out the best in all types of surgical images.

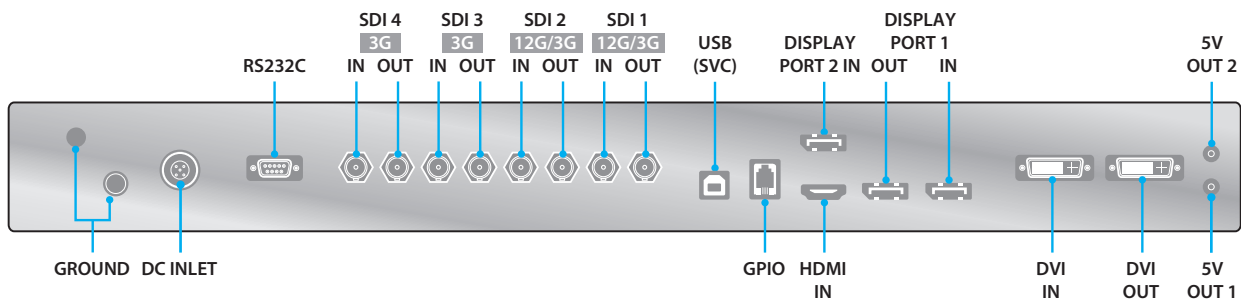


Use the OSD interface to select 2D or 3D mode, and to adjust 3D settings. Multi-window layouts can also be selected using the OSD interface.



3D eyewear that brings out the best in 3D technology is provided with each display monitor.

The technology designed into FM-E3204DGC produces superior color, sharpness, and functionality in clinical environments. Set-up and connections are simple. FSN monitors are well known for their fast detection of compatible video signals.



[www.fsnmed.com](http://www.fsnmed.com)

#### Foreeseon Custom Displays, Inc.

2210 E. Winston Road  
Anaheim, CA 92806 USA  
Tel: 714-300-0540  
Fax: 714-300-0546

Latin America  
Aventura, FL 33180 USA  
Tel: 714-507-3855

#### Foreeseon Korea

404B, PangyoInnovalley B  
253 Pangyo-ro  
Bundang-gu Seongnam-si  
Gyeonggi-do, Korea 463-400  
Tel: +82-31-8018-0780  
Fax: +82-31-8018-0786

#### Foreeseon GmbH

Industriestrasse 38a  
63150 Heusenstamm, Germany  
Tel: +49 6104 64398 0  
Fax: +49 6104 64398 11

#### Foreeseon UK Ltd.

Unit 71 Barwell Business Park  
Leatherhead Road  
Chessington, Surrey KT9 2NY  
Tel: +44 (0) 208 546 1047

#### Foreeseon (Shanghai)

Medical Equipment Co., Ltd.  
Room 307, 3F  
No. 56, 461 Hongcao Road  
Caohejing Development District  
Xuhui, Shanghai 200233  
Tel: 86-21-6113-4188

# 32" 3D 4K Medical Display

## FM-E3204DGC

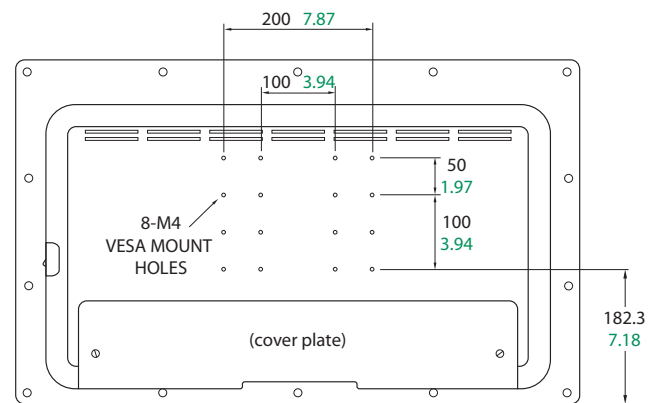
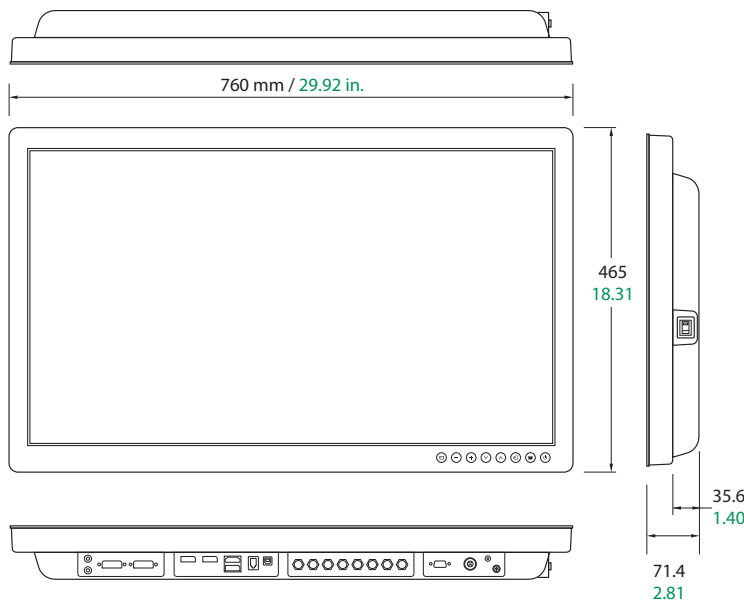


## Specifications

### General Features

| Item                     | Description   |
|--------------------------|---|
| Panel                    | 32 inch TFT LCD (LED)   |
| Resolution               | 3840 x 2160 pixels  |
| Aspect Ratio             | 16 : 9  |
| Active Area              | 708.48 (H)mm x 398.82 (V)mm   |
| Pixel Pitch (mm)         | 0.1845 x 0.1845   |
| Response Time (typical)  | 8 ms (rise time)  |
| Number of Colors         | 1.07 Billion  |
| 3D Type                  | Side-by-side, line-by-line, top bottom, SDI level B-DS, SDI dual input. 3D is enabled or disabled in OSD. |
| Brightness (typical)     | (2D) 500 cd/m <sup>2</sup><br>(3D) 200 cd/m <sup>2</sup>  |
| Gamut                    | BT.709 and BT.2020 compatible   |
| Contrast Ratio (typical) | (2D) 1250 : 1<br>(3D) 500 : 1   |
| Surface Treatment        | Anti-glare  |
| Viewing Angle (CR>10)    | (2D) R/L 178°, U/D 178°<br>(3D) U/D 6°  |

| Item                 | Description  |
|----------------------|--|
| Input Signal         | 1 x HDMI 2.0 (HDCP 2.2)  |
|                      | 2 x DP 1.2 (SST)   |
|                      | 1 x DVI (single link, compatible HDMI 1.4 and HDCP 1.4)  |
|                      | 4 x SDI (3G), 2 x SDI (12G)  |
| Output Signal        | 1 x DP 1.2 (SST)   |
|                      | 1 x DVI (single link)  |
|                      | 4 x SDI (3G), 2 x SDI (12G)  |
| Power Supply         | AC/DC Adaptor (AC 100~240V, DC 24V/6.6A)   |
| Power Consumption    | 135W max   |
| Accessories Included | User manual, AC-DC adaptor, AC power cord, DP cable, HDMI cable, DVI-D cable, SDI cable, 3D glasses, Screw BH M4 x 14 - 4 pcs.             |
| Latency              | 9 ms   |
| Unit Dimension       | 760(W) x 465(H) x 71.4(D) mm   |
|                      | 29.92(W) x 18.31(H) x 2.81(D) inch   |
| Package Dimension    | 914.4(W) x 749.3(H) x 234.95(D) mm   |
|                      | 36(W) x 29.5(H) x 9.25(D) inch   |
| Weight               | 10.7 kg, 23.59 lbs. (monitor with cover)   |
|                      | 16.50 kg, 36.38 lbs. (shipping package)  |
| Certifications       | ANSI/AAMI ES60601-1 (UL60601-1), CAN/CSA C22.2 No. 60601-1, FCC Class B, EN60601-1, EN60601-1-2, CE, MDD(93/42/EEC) Class I Medical Device |



FSN Medical Technologies products meet RoHS2 and Registration, Evaluation, Authorisation and Restriction of Chemicals (REACH) obligations. FSN manages the information flow as required by regulations.

Specifications are subject to change with or without notice. Doc. # FSN2042 Rev. 11/20

[www.fsnmed.com](http://www.fsnmed.com)

#### Foreseeson Custom Displays, Inc.

2210 E. Winston Road  
Anaheim, CA 92806 USA  
Tel: 714-300-0540  
Fax: 714-300-0546

Latin America  
Aventura, FL 33180 USA  
Tel: 714-507-3855

#### Foreseeson Korea

404B, Pangyo-innovalley B  
253 Pangyo-ro  
Bundang-gu Seongnam-si  
Gyeonggi-do, Korea 463-400  
Tel: +82-31-8018-0780  
Fax: +82-31-8018-0786

#### Foreseeson GmbH

Industriestrasse 38a  
63150 Heusenstamm, Germany  
Tel: +49 6104 64398 0  
Fax: +49 6104 64398 11

#### Foreseeson UK Ltd.

Unit 71 Barwell Business Park  
Leatherhead Road  
Chessington, Surrey KT9 2NY  
Tel: +44 (0) 208 546 1047

#### Foreseeson (Shanghai)

Medical Equipment Co., Ltd.  
Room 307, 3F  
No. 56, 461 Hongcao Road  
Caohejing Development District  
Xuhui, Shanghai 200233  
Tel: 86-21-6113-4188