

Medical Video Recorder

IPS710A



- Intuitive, multi-language user interface
- HD video recording
- Capture photo while recording video
- 1 terabyte internal hard disk drive
- DICOM SCU storage
- Modality work list integration
- Simultaneously record to internal HDD and ext. USB flash drive
- Works with FSN's VACS® software
- Compatible with Sony® medical color printer
- Medical grade touch screen support

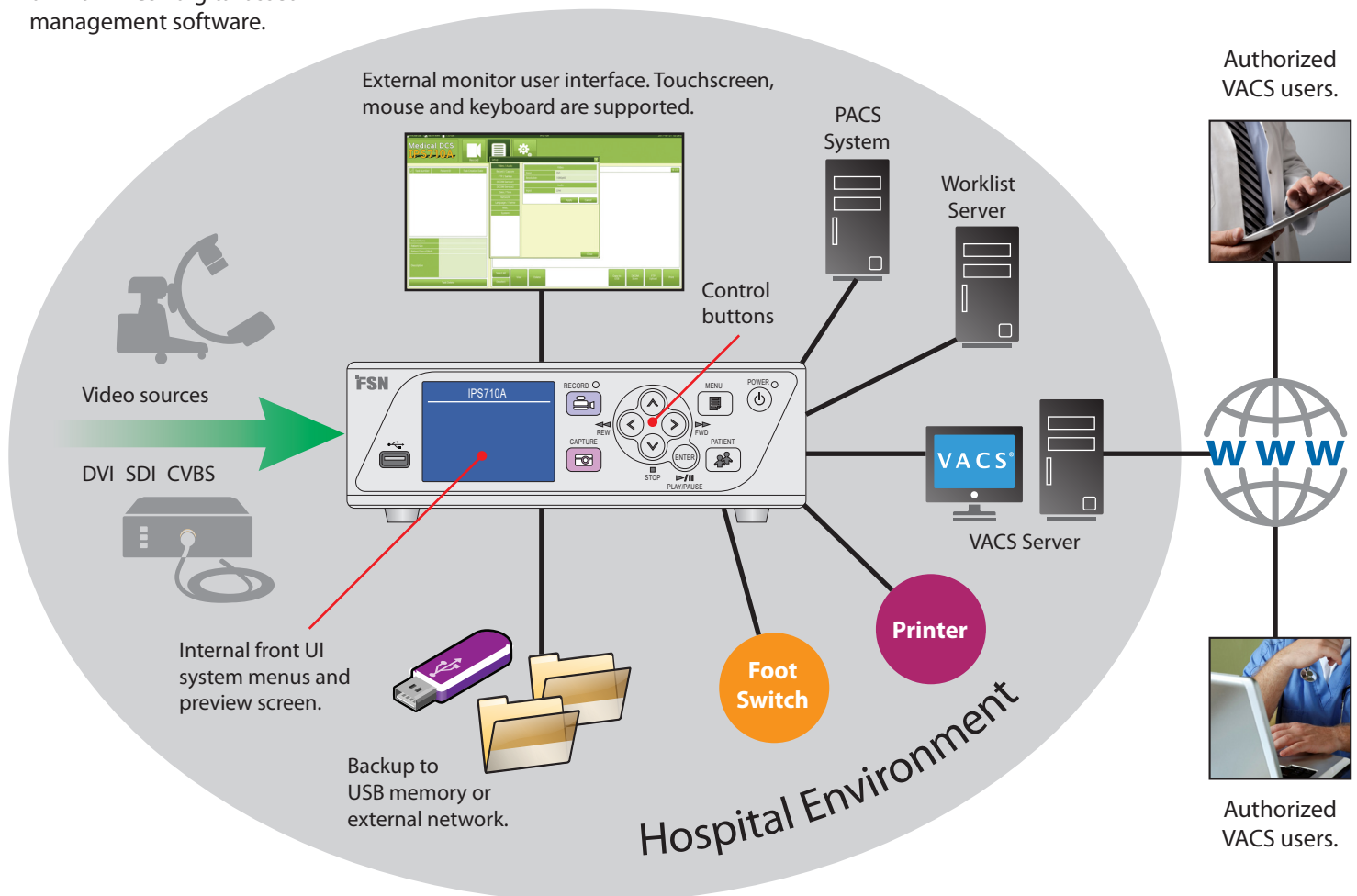


IPS710A from FSN Medical Technologies is an all-in-one medical video recording system. It captures still images or records extended sessions from live video signals. IPS710A can simultaneously record to internal and external memory, providing a fast, real-time external video back-up solution. Lightweight and portable, IPS710A features video recording up to 1080P at 60Hz. System controls can be managed using the screen and buttons on front of the unit, an external monitor with mouse and keyboard, or with VACS® digital asset management software.



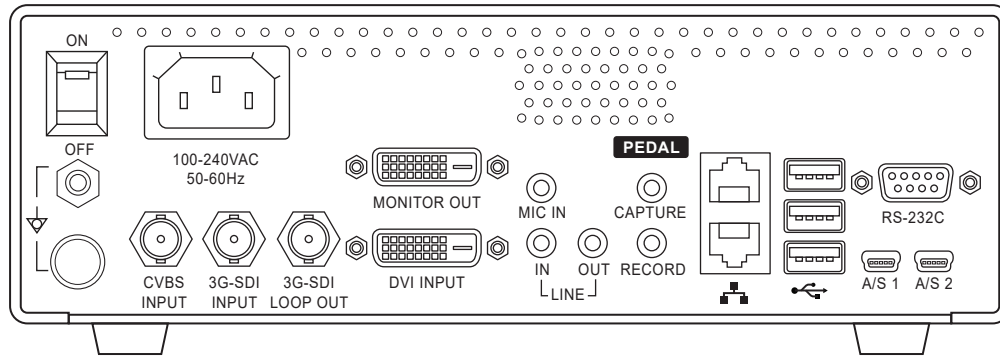
VACS® More Control Compared to Standalone Recorders.

When integrated with IPS710A, VACS® and VACS® Lite software can retrieve electronic health records, capture video or still images during a procedure, send DICOM compliant images to a PACS system, and share all content with other colleagues. These digital asset management capabilities make it easy to find and use medical imaging content, even very large video files. This is achieved through a convenient password protected web browser interface.



Medical Video Recorder

IPS710A



General Features

Item	Description	
Main Functions	Still image capture	Up to 1920 x 1080p
	Video recording	Up to 1920 x 1080p/60
	Standalone preview	Front 3.5 inch TFT LCD screen
	Menu access	Front LCD screen or graphic user interface running on a standalone touchscreen or monitor/mouse/keyboard.
	Worklist query	Direct access to HIS
	DICOM store	Direct access to PACS
Audio & Video Inputs	DVI	DVI-D(up to 1920x1200p/60)
	3G SDI	BNC x 1 ea, 75Ω(up to 3G)
	Composite Video	BNC x 1 ea, 75Ω (NTSC, PAL)
	Audio	3.5mm Stereo x 2ea, Mic in, Line in
<i>Note: only one video input can be recorded at a time.</i>		
Audio & Video Outputs	Monitor output	DVI-D
	Loop out	3G SDI
	Audio	3.5mm Stereo x 1 ea, Line out
Data I/O	USB2.0	Front : 1, Rear : 3
	RS-232C	DB9 (female) connector x 1ea
	Ethernet	RJ45 x 2ea (10/100/1000M)
	Keyboard / Mouse	USB type
	Foot pedal	3.5mm stereo jack x 2ea, Record, Capture
Recording and Capture	Recording resolution	480P60, 720P60, 1080P60
	Video format	AVI, MOV
	Video quality	High, Middle, Low
	Video codec	H.264
	Capture image resolution	480P, 720P, 1080P
	Capture image format	BMP, JPEG, DICOM
	Audio format	AAC

Item	Description	
Storage	Internal HDD	1TB standard
	External USB storage	External SSD HDD and USB memory stick
	USB data format	FAT32 format
	Network drive	CIFS
	Network transfer	FTP file transfer
General	Multi-language UI	Spanish, Italian, French, German, Polish, Portuguese, Chinese, Korean, Japanese, English
	Power requirements	AC 100-240V / 50-60Hz, 0.6A (max)
	Power consumption	32.5W max.
	Dimensions	250mm wide x 80mm high x 300mm deep
	Weight	2.9 Kg / 6.40 lbs.
Temperature	Operating	0° to +40° C (+32° to +104° F)
	Storage	-20° to + 60° C (-4° to +140° F)
Humidity	Operating	20 - 85% RH
	Storage	5 - 85% RH
Component Support	Touch Panel (medical)	
	Printer	Sony UP-DR80MD
	Modality Work List	
	DICOM SCU storage	
Compliance & Certifications	UL 60601.1, EN 60601, CE, MDD 93/42/EEC, ISO 9001, ISO 13485 Class 1 Medical Device, RoHS HIPPA Compliance, SSL Certificate	

Specifications are subject to change with or without notice. Doc.# FSN1977 Rev. 10/18

www.fsnmed.com

Foreseeson Custom Displays, Inc.
2210 E. Winston Road
Anaheim, CA 92806 USA
Tel: 714-300-0540
Fax: 714-300-0546

San Jose, CA Tel: 714-507-3851
Fork Lee, NJ Tel: 714-507-3852

Foreseeson Korea
404B, PangyoInnovalley B
253 Pangyo-ro
Bundang-gu Seongnam-si
Gyeonggi-do, Korea 463-400
Tel: +82-31-8018-0780
Fax: +82-31-8018-0786

Foreseeson GmbH
Industriestrasse 38a
63150 Heusenstamm, Germany
Tel: +49 6104 64398 0
Fax: +49 6104 64398 11

Foreseeson UK Ltd.
Unit 71 Barwell Business Park
Leatherhead Road
Chessington, Surrey KT9 2NY
Tel: +44 (0) 208 546 1047

Foreseeson (Shanghai)
Medical Equipment Co., Ltd.
Room 307, 3F
No. 56, 461 Hongcao Road
Caohejing Development District
Xuhui, Shanghai 200233
Tel: 86-21-6113-4188