

27" HD Medical Display

FS-L2702D

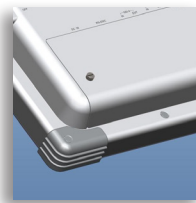
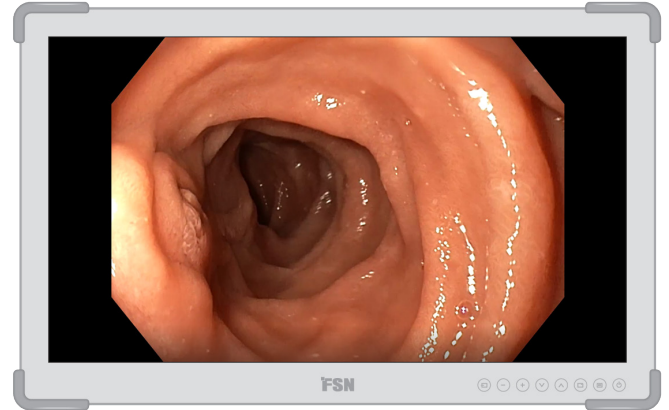


FS-L2702D features a high brightness LED back light and rich color calibration set to Rec. 709 (sRGB gamut) for HD medical grade image consistency. FSN's complete set of monitor features are designed specifically for presenting images from surgical endoscopic camera systems or other medical imaging devices.



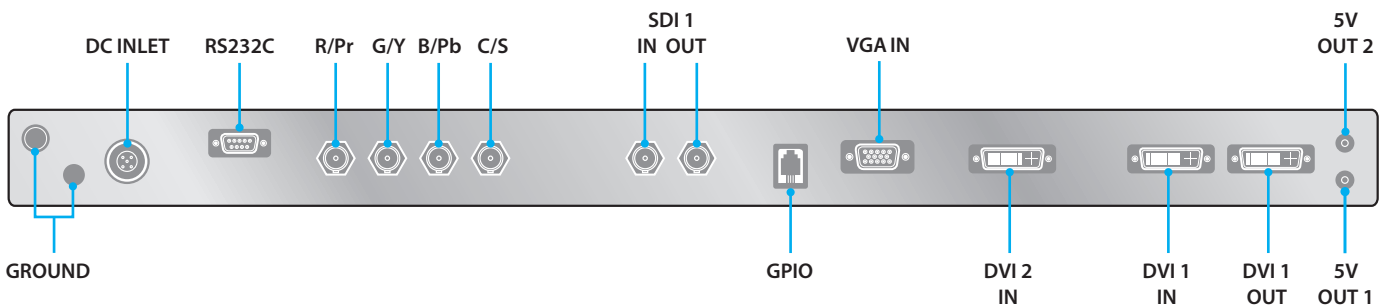
User Friendly

FS-L2702D incorporates an intuitive, full- featured on screen menu for image and layout settings. Multi-modality options let doctors view two images at the same time. Its lightweight design is ideal for boom or spring-arm mounting, and the convenient back cable cover helps organize and manage multiple cords.



Designed for the OR

The unique exterior of FS-L2702D is comprised of a slim and sleek housing design, built in rounded corner bumpers for added safety, and sturdy construction that withstands the rigors of daily OR use. Edge-to-edge front glass allows for fast disinfection and quick surgery room turnaround. Ingress protection rating of 33 helps protect internal components against solid or liquid contamination. The monitor's back cover offers input/output port protection and clean cable management.



www.fsnmed.com

Foreseeson Custom Displays, Inc.
2210 E. Winston Road
Anaheim, CA 92806 USA
Tel: 714-300-0540
Fax: 714-300-0546

Latin America
Aventura, FL 33180 USA
Tel: 714-507-3855

Foreseeson Korea
B-408, U-Space2
670 Daewangpangyo-ro,
Bundang-gu, Seongnam-si
Gyeonggi-do, Republic of Korea
Tel: +82-31-8017-0780

Foreseeson GmbH
Industriestrasse 38a
63150 Heusenstamm, Germany
Tel: +49 6104 64398 0
Fax: +49 6104 64398 11

Foreseeson UK Ltd.
1 Wolsey Road
East Molesay
Surrey
KT8 9EL
United Kingdom
Tel: +44 (0) 208 546 1047

Foreseeson (Shanghai)
Medical Equipment Co., Ltd.
Room 8E, No. 89 Building
1122 North Qinzhou Road
Xuhui, Shanghai 200233, China
Tel: 86-21-6113-4188

27" HD Medical Display

FS-L2702D

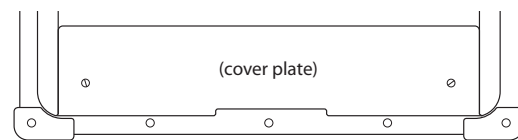
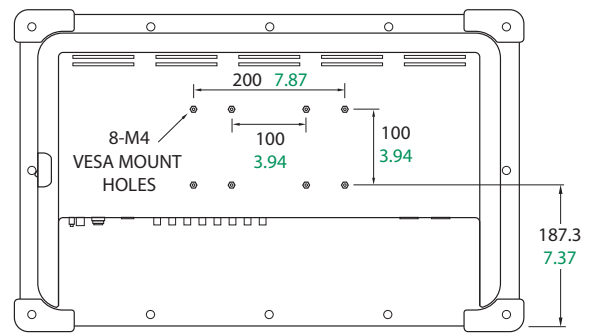
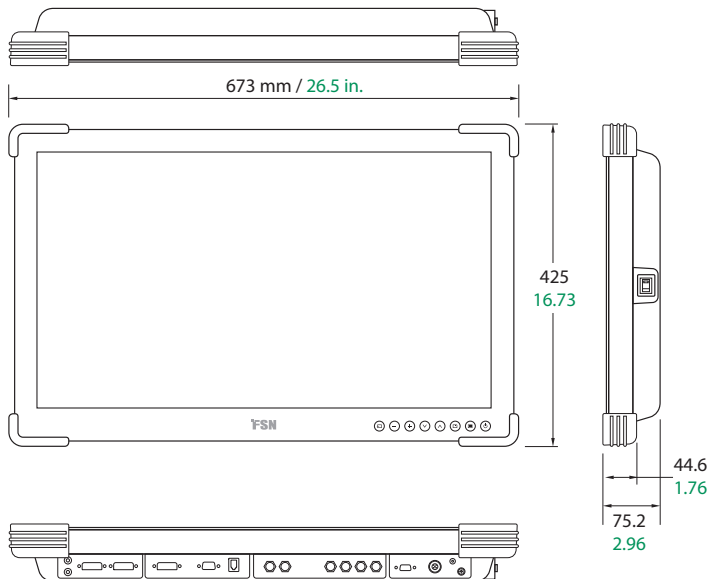


Specifications

General Features

| Item | Description |
|--------------------------|-----------------------------|
| Panel | 27 inch TFT LCD (LED) |
| Resolution | 1920 x 1080 pixel |
| Aspect Ratio | 16 : 9 |
| Active Area | 597.89 (H)mm x 336.31 (V)mm |
| Pixel Pitch (mm) | 0.3114 x 0.3114 |
| Response Time (typical) | 14 ms (gray to gray) |
| Number of Colors | 1.07 Billion |
| Brightness (typical) | 800 cd/m ² |
| Contrast Ratio (typical) | 1000 : 1 |
| Surface Treatment | Anti-glare |
| Viewing Angle (CR>10) | R/L 178°, U/D 178° |

| Item | Description |
|----------------------|---|
| Input Signal | 2 x DVI (single link) 1 x VGA 1 x Component 1 x SDI (3G) |
| Output Signal | 1 x DVI (single link) 1 x SDI (3G) |
| Power Supply | AC/DC Adaptor (AC 100~240V, DC 24V/6.6A) |
| Power Consumption | 100W |
| Accessories Included | User manual, AC-DC adaptor, AC power cord, DVI-D cable, BNC cable, Screw BH M4 x 14 |
| Unit Dimension | 673(W) x 425(H) x 75.2(D) mm 26.49(W) x 16.73(H) x 2.96(D) inch |
| Package Dimension | 755.65(W) x 654.05(H) x 234.95(D) mm 29.75(W) x 25.75(H) x 9.25(D) inch |
| IP Rating | IP33 - overall, IP44 - front side only |
| IK Rating | IK06 with 5H AR glass |
| Weight | 8.73 kg, 19.25 lbs. (monitor with cover) 13.9 kg, 30.64 lbs. (shipping package) |
| Certifications | ANSI/AAMI ES60601-1(UL60601-1), CAN/CSA C22.2 No. 60601-1, FCC Class B, EN60601-1, EN60601-1-2, CE, MDR(EU) 2017/745 Class I Medical Device |



FSN Medical Technologies products meet EU RoHS Directive 2011/65/EU+2015/863/EU and Registration, Evaluation, Authorisation and Restriction of Chemicals (REACH) obligations. FSN manages the information flow as required by regulations.

Specifications are subject to change with or without notice. Doc. # FSN2001 Rev. 11/21

www.fsnmed.com

Foreseeson Custom Displays, Inc.
2210 E. Winston Road
Anaheim, CA 92806 USA
Tel: 714-300-0540
Fax: 714-300-0546

Latin America
Aventura, FL 33180 USA
Tel: 714-507-3855

Foreseeson Korea
B-408, U-Space2
670 Daewangpangyo-ro,
Bundang-gu, Seongnam-si
Gyeonggi-do, Republic of Korea
Tel: +82-31-8017-0780

Foreseeson GmbH
Industriestrasse 38a
63150 Heusenstamm, Germany
Tel: +49 6104 64398 0
Fax: +49 6104 64398 11

Foreseeson UK Ltd.
1 Wolsey Road
East Molesay
Surrey
KT8 9EL
United Kingdom
Tel: +44 (0) 208 546 1047

Foreseeson (Shanghai)
Medical Equipment Co., Ltd.
Room 8E, No. 89 Building
1122 North Qinzhou Road
Xuhui, Shanghai 200233, China
Tel: 86-21-6113-4188