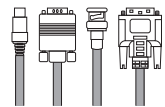


32" High-Bright Medical Display

FS-L3202D



FSN's 32 inch HD medical-grade monitor features a large viewing area, yet is within the requirements of most boom mounting systems. Picture-in-picture or picture-by-picture screen layouts can be fully adjusted for size and position, giving surgeons the flexibility to work with video images tailored to their preference. FS-L3202D is designed without an internal fan. This eliminates the spread of contaminants and makes the monitor perfectly suited for the sterile field in an operating room.



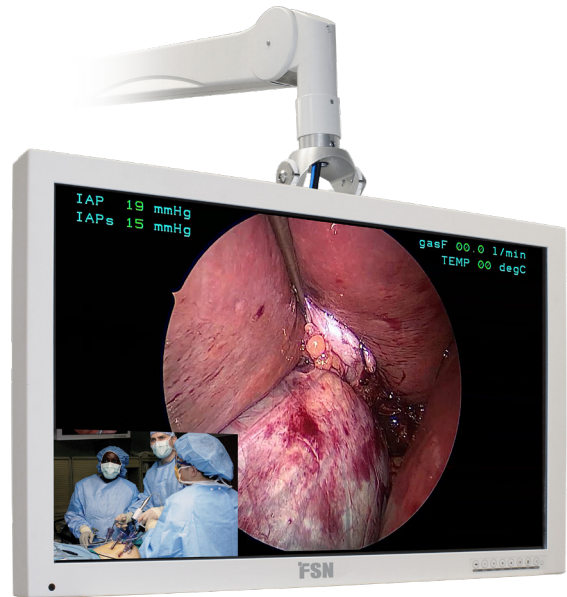
Input & Output Selection

FS-L3202D comes standard with extensive compatibility already built in. Connections are available for a vast array of video signals (digital and analog) including DVI-D, 3G-SDI, SOG, VGA, C-Video, S-Video, and Component. This means that it can adapt to different applications without having to buy extra equipment.



Source Compatibility

With a full range of signal timing tables, FS-L3202D offers ultra-fast video signal detection.

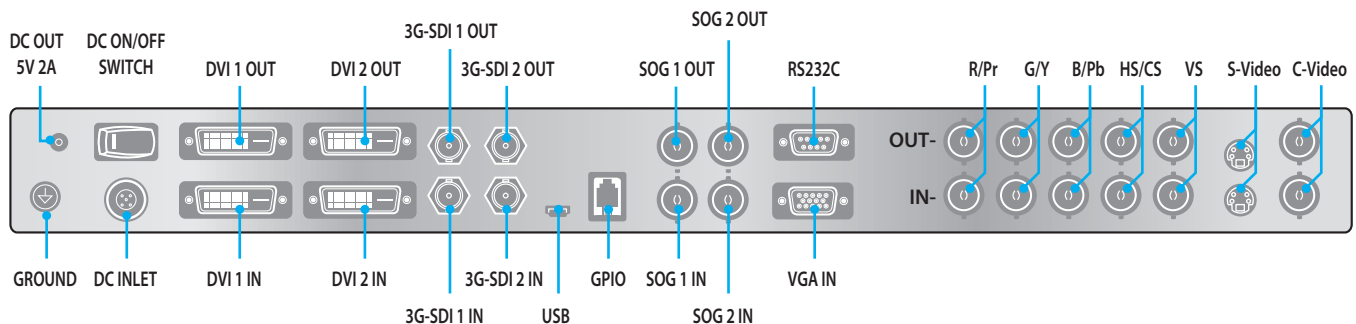


This monitor offers superior color reproduction, and displays exact visualization of critical anatomy being captured by the camera. It provides surgeons with the images needed for multi-specialty procedures, all while being compatible with all popular endoscopy systems.



Attention to Detail

This unit comes with design enhancements that improve workflow in a medical operating room environment. A handheld remote control is included. DC power is available near the video in/out connections to support smaller components such as fiber optic receivers. FS-L3202D reduces cable clutter with its back cover attachment.



www.fsnmed.com

Foreeseon Custom Displays, Inc.
2210 E. Winston Road
Anaheim, CA 92806 USA
Tel: 714-300-0540
Fax: 714-300-0546

Latin America
Aventura, FL 33180 USA
Tel: 714-507-3855

Foreeseon Korea
B-408, U-Space2
670 Daewangpangyo-ro,
Bundang-gu, Seongnam-si
Gyeonggi-do, Republic of Korea
Tel: +82-31-8017-0780

Foreeseon GmbH
Industriestrasse 38a
63150 Heusenstamm, Germany
Tel: +49 6104 64398 0
Fax: +49 6104 64398 11

Foreeseon UK Ltd.
1 Wolsey Road
East Molesey
Surrey
KT8 9EL
United Kingdom
Tel: +44 (0) 208 546 1047

Foreeseon (Shanghai)
Medical Equipment Co., Ltd.
Room 8E, No. 89 Building
1122 North Qinzhou Road
Xuhui, Shanghai 200233, China
Tel: 86-21-6113-4188

32" High-Bright Medical Display

FS-L3202D

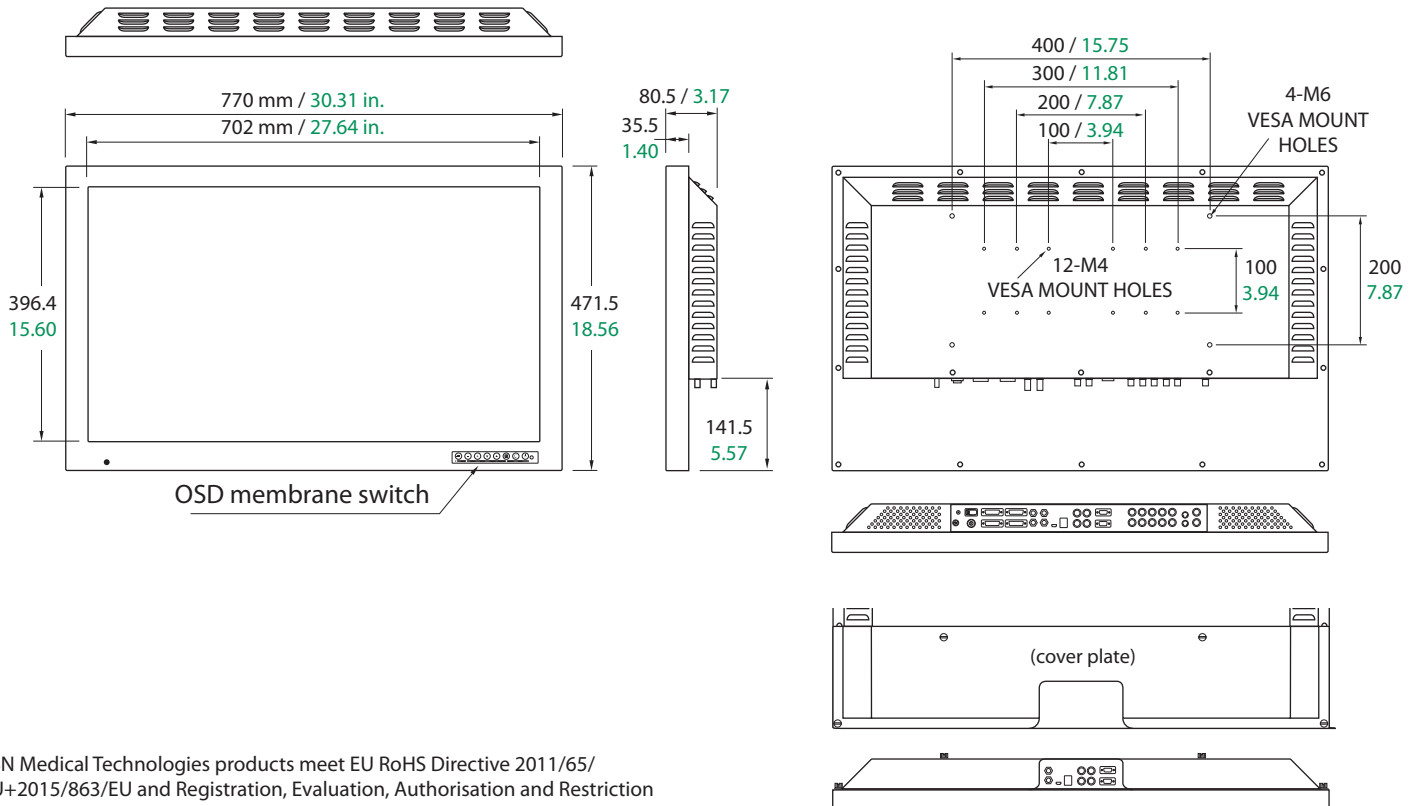


Specifications

General Features

Item	Description	
Panel	32 inch TFT LCD (LED)	
Resolution	1920 x 1080 pixel	
Aspect Ratio	16 : 9	
Active Area	698.4(H)mm x 392.9(V)mm	
Pixel Pitch (mm)	0.36375 x 0.36375	
Response Time (typical)	25 ms (gray to gray)	
Number of Colors	16.7 Million	
Brightness (typical)	450 cd/m ²	
Contrast Ratio (typical)	1300 : 1	
Surface Treatment	Anti-glare	
Viewing Angle (CR>10)	R/L 178°, U/D 178°	
Input Signal	2 x DVI-D	
	2 x SD/HD/3G-SDI (BNC)	
	2 x SOG	
	1 x VGA (D-sub)	
	1 x C-Video (BNC)	
Output Signal	1 x S-Video (DIN)	
	1 x Component (RGBS, YPbPr) (5 x BNC)	
	Power Supply	AC/DC Adaptor (AC 100-240V~, DC 24V 6.25A)
	Power Consumption	75W max.
Accessories Included	User manual, AC-DC adaptor, AC power cord, DVI-D cable, BNC cable, Remote control, Screw BH M4 x 14	
Unit Dimension	770(W) x 471.5(H) x 80.5(D) mm 30.31(W) x 18.56(H) x 3.17(D) inch	
Package Dimension	911.35(W) x 742.95(H) x 234.95(D) mm 35.88(W) x 29.25(H) x 9.25(D) inch	
IP Rating	IP30 - overall, IP31 - front side only	
IK Rating	IK05 with 5H AR glass	
Weight	13.18 kg, 29.06 lbs. (monitor with cover)	
	19.14 kg, 42.2 lbs. (shipping package)	
Certifications	ANSI/AAMI ES60601-1(UL60601-1), CAN/CSA C22.2 No. 60601-1, FCC Class B, EN60601-1, EN60601-1-2, CE, MDR(EU) 2017/745 Class I Medical Device	

Item	Description
Output Signal	2 x DVI-D
	2 x SD/HD/3G-SDI (BNC)
	2 x SOG
	1 x C-Video (BNC)
	1 x S-Video (DIN)
1 x Component (RGBS, YPbPr) (5 x BNC)	
Power Supply	AC/DC Adaptor (AC 100-240V~, DC 24V 6.25A)
Power Consumption	75W max.
Accessories Included	User manual, AC-DC adaptor, AC power cord, DVI-D cable, BNC cable, Remote control, Screw BH M4 x 14
Unit Dimension	770(W) x 471.5(H) x 80.5(D) mm 30.31(W) x 18.56(H) x 3.17(D) inch
Package Dimension	911.35(W) x 742.95(H) x 234.95(D) mm 35.88(W) x 29.25(H) x 9.25(D) inch
IP Rating	IP30 - overall, IP31 - front side only
IK Rating	IK05 with 5H AR glass
Weight	13.18 kg, 29.06 lbs. (monitor with cover)
	19.14 kg, 42.2 lbs. (shipping package)
Certifications	ANSI/AAMI ES60601-1(UL60601-1), CAN/CSA C22.2 No. 60601-1, FCC Class B, EN60601-1, EN60601-1-2, CE, MDR(EU) 2017/745 Class I Medical Device



FSN Medical Technologies products meet EU RoHS Directive 2011/65/EU+2015/863/EU and Registration, Evaluation, Authorisation and Restriction of Chemicals (REACH) obligations. FSN manages the information flow as required by regulations.

Specifications are subject to change with or without notice. Doc. # FSN1955 Rev. 11/21

www.fsnmed.com

Foreseeson Custom Displays, Inc.

2210 E. Winston Road
Anaheim, CA 92806 USA
Tel: 714-300-0540
Fax: 714-300-0546

Latin America
Aventura, FL 33180 USA
Tel: 714-507-3855

Foreseeson Korea

B-408, U-Space2
670 Daewangpangyo-ro,
Bundang-gu, Seongnam-si
Gyeonggi-do, Republic of Korea
Tel: +82-31-8017-0780

Foreseeson GmbH

Industriestrasse 38a
63150 Heusenstamm, Germany
Tel: +49 6104 64398 0
Fax: +49 6104 64398 11

Foreseeson UK Ltd.

1 Wolsey Road
East Molesley
Surrey
KT8 9EL
United Kingdom
Tel: +44 (0) 208 546 1047

Foreseeson (Shanghai)

Medical Equipment Co., Ltd.
Room 8E, No. 89 Building
1122 North Qinzhou Road
Xuhui, Shanghai 200233, China
Tel: 86-21-6113-4188