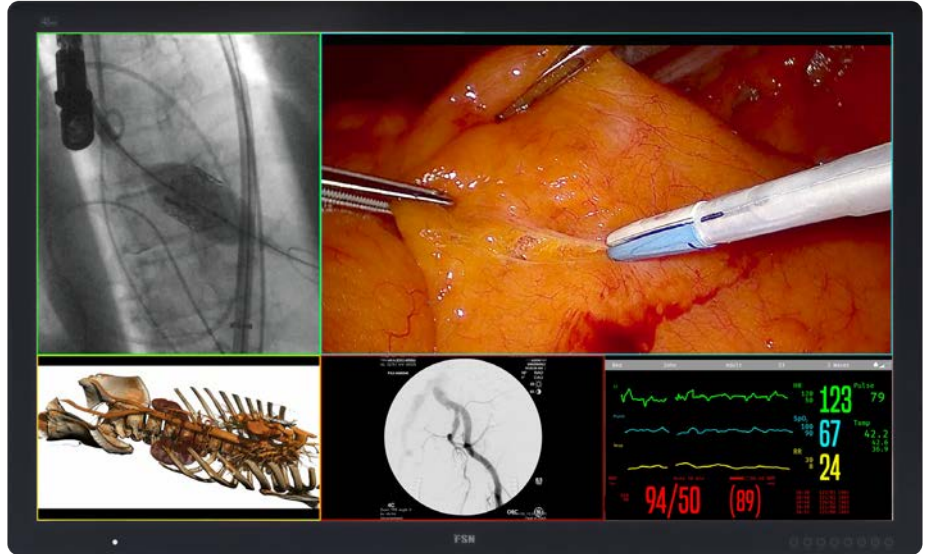
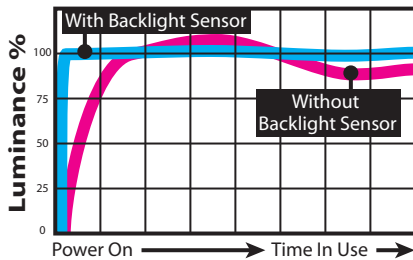


58" 4K Medical Display

FM-D5802DV



- High Brightness, High Contrast LCD Technology.
- Grayscale and Color Imaging on a Single Multi-Modality Display.
- Uniform Brightness is Held Constant Across the Entire Screen Surface.
- Luminance Stability with Backlight Sensor Technology.

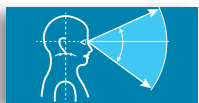


FSN has expanded its range of medical grade monitors to include FM-D5802DV, a large-area display designed to handle a vast array of tasks in the OR from patient monitoring to endoscopic images to X-ray and ultrasound. The FM-D5802DV can show multiple screens at the same time on its large surface area. A flush-front protective glass overlay allows for easy cleaning.



DICOM® Mode

FM-D5802DV can handle multi-modality imaging with its DICOM mode. This all-in-one versatility allows for diagnostic quality viewing in a surgical grade display monitor.



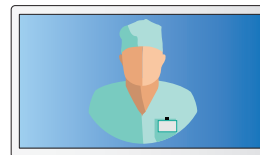
Ergonomic Design

FSN's attention to human engineering detail, such as rounded bezel corners, wide viewing angles, and a backlit touch menu, allows users to interact with the monitor efficiently and safely.

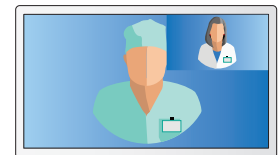
Input & Output Selection

The compatibility built into FM-D5802DV means that it can adapt to different applications. Connections are available for high-performance video signals, including HDMI, DVI, Dual Link DVI, and DisplayPort.

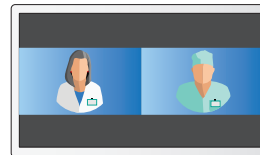
FM-D5802DV has several built-in image layout options.



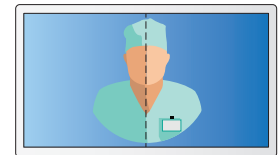
Single image.



PIP - small screen can be relocated.



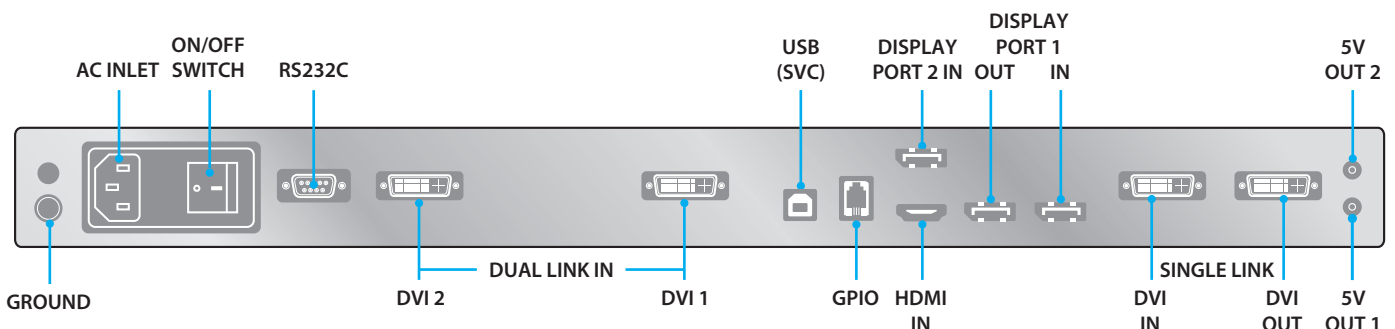
PBP - images can be swapped.



Dual-link DVI special feature.

Additional layout configurations are achieved through the use of compatible multiviewer systems.

Please contact FSN Medical Technologies for more information.



58" 4K Medical Display

FM-D5802DV

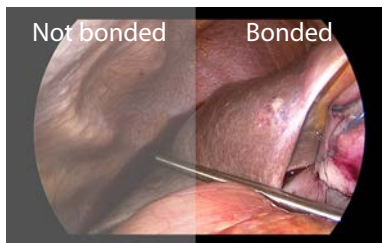
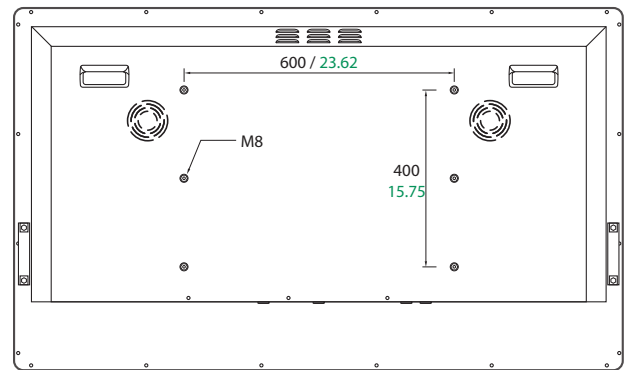


Specifications

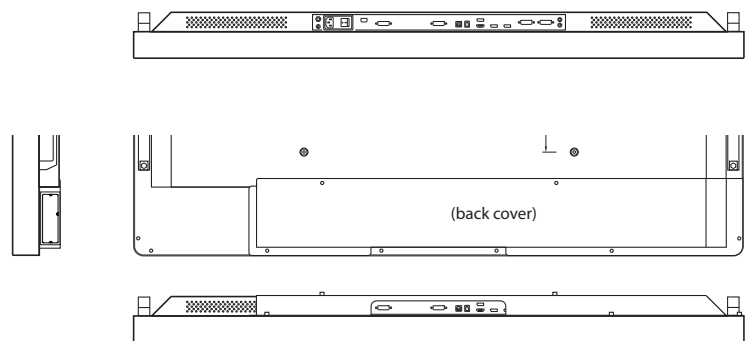
General Features

Item	Description
Panel	58 inch TFT LCD (LED)
Resolution	3840 x 2160 pixel
Aspect Ratio	16 : 9
Active Area	1270.08 (H)mm x 721.44 (V)mm
Pixel Pitch (mm)	0.33075 x 0.334
Response Time (typ.)	9.5 ms (gray to gray)
Number of Colors	1.07 Billion
Brightness (typical)	700 cd/m ²
Contrast Ratio (typical)	4000 : 1
Surface Treatment	Anti-glare
Viewing Angle (CR>20)	R/L 176°, U/D 176°
Input Signal	1 x HDMI 2.0 2 x DP 1.2 (SST) 1 x DVI (single link) 2 x DVI (dual link)

Item	Description
Output Signal	1 x DVI (single link) 1 x DP 1.2 (SST)
Power Supply	SMPS (AC 90 ~264V) x 2 ea.
Power Consumption	280W (nominal); 350.4W (max)
Accessories Included	User manual, AC power cord, DP cable, HDMI cable, DVI-D cable, Remote control and batteries
Unit Dimension	1358(W) x 822(H) x 105(D) mm 53.46(W) x 32.36(H) x 4.13(D) inch
Package Dimension	1565(W) x 985(H) x 305(D) mm 61.61(W) x 38.78(H) x 12(D) inch
IP Rating	IP20 - overall, IP42 - front side only
IK Rating	IK08 with 5H AR glass
Weight	45.93 kg, 101.26 lbs. (monitor with cover) 62.62 kg, 138.05 lbs. (shipping package)
DICOM Mode	Yes
Backlight Sensor	Yes
Certifications	ANSI/AAMI ES60601-1(UL60601-1), CAN/CSA C22.2 No. 60601-1, FCC Class B, EN60601-1, EN60601-1-2, CE, MDR(EU) 2017/745 Class I Medical Device



FSN's optical bonding process (right) improves contrast ratio and brightness, and increases humidity resistance and breakage resistance.



FSN Medical Technologies products meet EU RoHS Directive 2011/65/EU+2015/863/EU and Registration, Evaluation, Authorisation and Restriction of Chemicals (REACH) obligations. FSN manages the information flow as required by regulations.

Specifications are subject to change with or without notice. Doc.# FSN2034 Rev. 11/21

www.fsnmed.com

Foreseeson Custom Displays, Inc.
2210 E. Winston Road
Anaheim, CA 92806 USA
Tel: 714-300-0540
Fax: 714-300-0546

Latin America
Aventura, FL 33180 USA
Tel: 714-507-3855

Foreseeson Korea
B-408, U-Space2
670 Daewangpangyo-ro,
Bundang-gu, Seongnam-si
Gyeonggi-do, Republic of Korea
Tel: +82-31-8017-0780

Foreseeson GmbH
Industriestrasse 38a
63150 Heusenstamm, Germany
Tel: +49 6104 64398 0
Fax: +49 6104 64398 11

Foreseeson UK Ltd.
1 Wolsey Road
East Molesay
Surrey
KT8 9EL
United Kingdom
Tel: +44 (0) 208 546 1047

Foreseeson (Shanghai)
Medical Equipment Co., Ltd.
Room 8E, No. 89 Building
1122 North Qinzhou Road
Xuhui, Shanghai 200233, China
Tel: 86-21-6113-4188