

# 27" FHD Medical Display

## FS-A2702DS



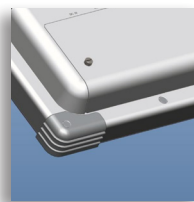
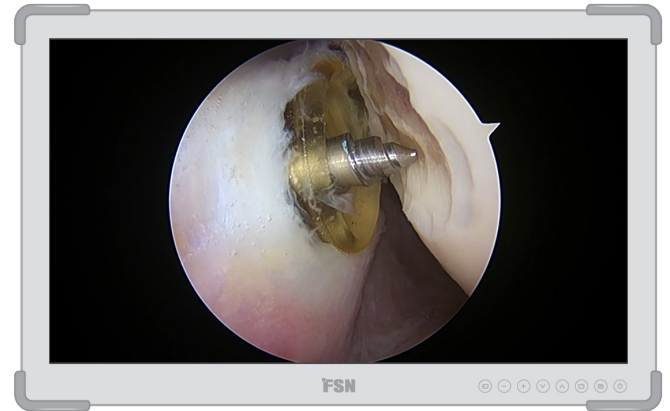
- More screen window layouts to choose from.
- Protective corner guards for a safer work area.
- Power outputs for 5V and 12V accessories.

FS-A2702DS features a high brightness LED backlight and rich color calibration set to Rec. 709 (sRGB gamut) for Full HD medical grade image consistency. FSN's complete set of monitor features are designed specifically for presenting images from surgical endoscopic camera systems or other medical imaging devices.



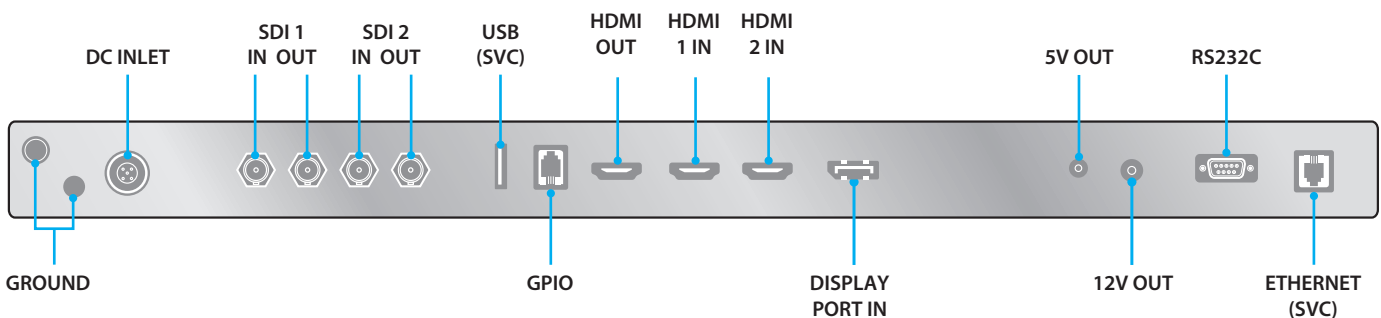
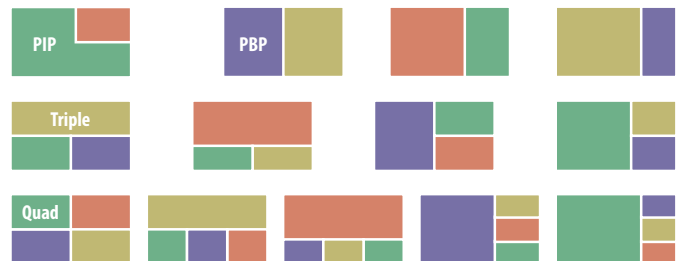
### User Friendly

FS-A2702DS incorporates an intuitive, full-featured on screen menu for image and layout settings. Multi-modality options let doctors view PIP, PBP, triple, or quad images at the same time. Its lightweight design is ideal for boom or spring-arm mounting, and the convenient back cable cover helps organize and manage multiple cords.



### Designed for the OR

The unique exterior of FS-A2702DS features built in rounded corner bumpers for added safety. 5V and 12V outputs are available for accessory power. Edge-to-edge front glass allows for fast disinfection and quick surgery room turnaround. Ingress protection rating of 33 helps protect internal components against solid or liquid contamination.



fsnmed.com

Foreseeson Custom Displays, Inc.  
2210 E. Winston Road  
Anaheim, CA 92806 USA  
Tel: 714-300-0540  
Fax: 714-300-0546

Latin America  
Aventura, FL 33180 USA  
Tel: 714-507-3855

Foreseeson Korea  
B-408, U-Space2  
670 Daewangpangyo-ro,  
Bundang-gu, Seongnam-si  
Gyeonggi-do, Republic of Korea  
Tel: +82-31-8017-0780

Foreseeson GmbH  
Industriestrasse 38a  
63150 Heusenstamm, Germany  
Tel: +49 6104 64398 0  
Fax: +49 6104 64398 11

Foreseeson UK Ltd.  
1 Wolsey Road  
East Molesay  
Surrey  
KT8 9EL  
United Kingdom  
Tel: +44 (0) 208 546 1047

Foreseeson (Shanghai)  
Medical Equipment Co., Ltd.  
Room 1010, Building A  
1439 Wuzhong Road  
Rhein Hongjing Center  
Minhang District, Shanghai, China  
Tel: 18521095596

# 27" FHD Medical Display

## FS-A2702DS

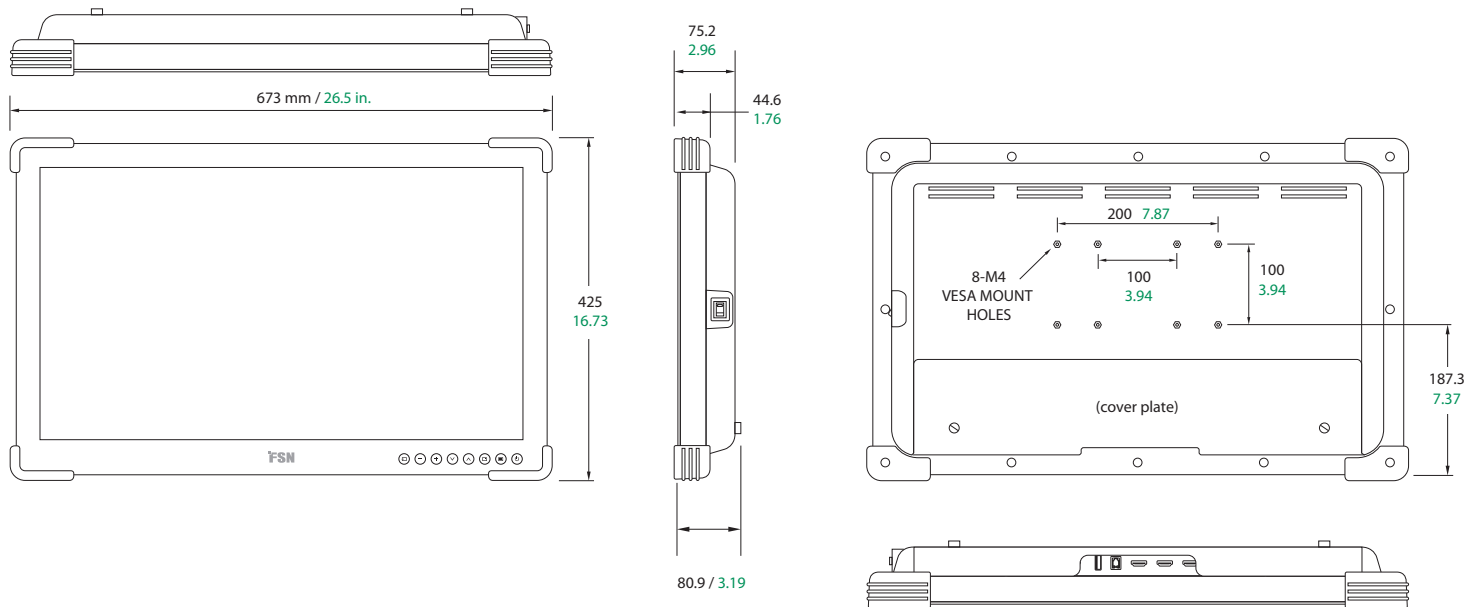


## Specifications

### General Features

Item	Description
Panel	27 inch TFT LCD (LED)
Resolution	1920 x 1080 pixels
Aspect Ratio	16 : 9
Active Area	597.89 (H)mm x 336.31 (V)mm
Pixel Pitch (mm)	0.3114 x 0.3114
Response Time (typical)	14 ms (gray to gray)
Number of Colors	1.07 billion
Brightness (typical)	800 cd/m <sup>2</sup>
Gamut	BT.709 calibrated
Contrast Ratio (typical)	1000 : 1
Surface Treatment	Anti-reflection, anti-fingerprint
Viewing Angle (CR>10)	R/L 178°, U/D 178°
Input Signal	2 x HDMI (1.4)
	1 x DP (1.2)
	2 x SDI (3G, HD, SD)

Item	Description
Output Signal	1 x HDMI (1.4)
	2 x SDI (3G, HD, SD)
Power Supply	AC/DC Adaptor (AC 100~240V, DC 24V/6.6A)
Power Consumption	110W max
Latency (typical)	2 ms max
Accessories Included	User manual, AC-DC adaptor, AC power cord, HDMI cable, SDI cable, Screw BH M4 x 14
Unit Dimension	673(W) x 425(H) x 75.2(D) mm
	26.49(W) x 16.73(H) x 2.96(D) inch
Package Dimension	743(W) x 653(H) x 227(D) mm
	29.25(W) x 25.71(H) x 8.94(D) inch
IP Rating	IP33 - overall
Weight	8.52 kg, 18.78 lbs. (monitor with cover)
	13 kg, 28.66 lbs. (shipping package)
Certifications	ANSI/AAMI ES60601-1 (UL60601-1), CAN/CSA C22.2 No. 60601-1, FCC Class B, EN60601-1, EN60601-1-2, CE, MDR(EU) 2017/745 Class I Medical Device



FSN Medical Technologies products meet EU RoHS Directive 2011/65/EU+2015/863/EU and Registration, Evaluation, Authorisation and Restriction of Chemicals (REACH) obligations. FSN manages the information flow as required by regulations.

Specifications are subject to change with or without notice. Doc. # FSN2082 Rev. 2/24

[fsnmed.com](http://fsnmed.com)

#### Foreseeson Custom Displays, Inc.

2210 E. Winston Road  
Anaheim, CA 92806 USA  
Tel: 714-300-0540  
Fax: 714-300-0546

Latin America  
Aventura, FL 33180 USA  
Tel: 714-507-3855

#### Foreseeson Korea

B-408, U-Space2  
670 Daewangpangyo-ro,  
Bundang-gu, Seongnam-si  
Gyeonggi-do, Republic of Korea  
Tel: +82-31-8017-0780

#### Foreseeson GmbH

Industriestrasse 38a  
63150 Heusenstamm, Germany  
Tel: +49 6104 64398 0  
Fax: +49 6104 64398 11

#### Foreseeson UK Ltd.

1 Wolsey Road  
East Molesey  
Surrey  
KT8 9EL  
United Kingdom  
Tel: +44 (0) 208 546 1047

#### Foreseeson (Shanghai)

Medical Equipment Co., Ltd.  
Room 1010, Building A  
1439 Wuzhong Road  
Rhein Hongjing Center  
Minhang District, Shanghai, China  
Tel: 18521095596