

27" FHD Medical Touchscreen Display

FS-A2702DT, FS-A2702DST



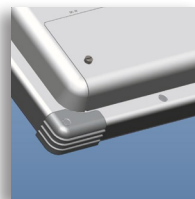
- More screen window layouts to choose from.
- Protective corner guards for a safer work area.
- Power outputs for 5V and 12V accessories.

FS-A2702DT and FS-A2702DST (with SDI) are projected capacitive multi-touch screens that are designed for medical applications including endoscopy, fluoroscopy, and ultrasound. These models offer a high brightness LED back light and rich color calibration set to Rec. 709 (sRGB gamut) for Full HD medical grade image consistency. FSN's complete set of monitor features is designed specifically for presenting images from medical imaging devices.



User Friendly

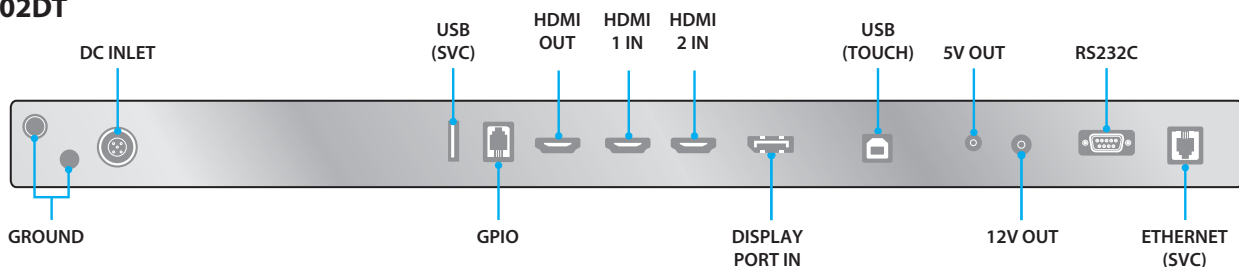
These monitors incorporate an intuitive, full- featured on screen menu for image and layout settings. Multi-modality options let doctors view PIP, PBP, triple, or quad images at the same time. The lightweight design is ideal for boom or spring-arm mounting, and the convenient back cable cover helps organize and manage multiple cords.



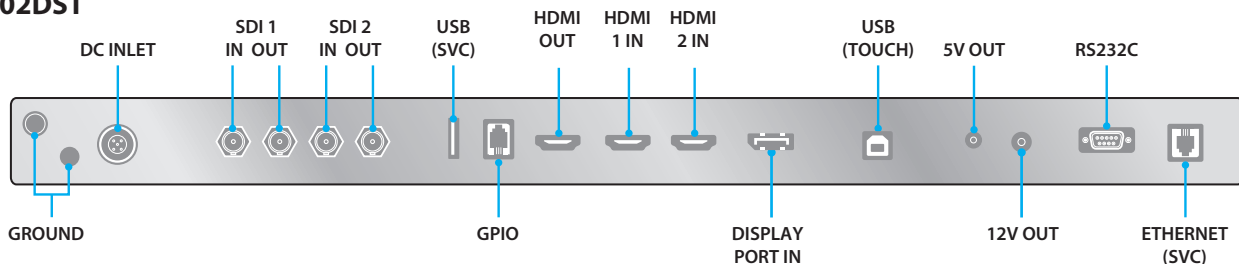
Designed for the OR

The unique exterior features built in rounded corner bumpers for added safety. 5V and 12V outputs are available for accessory power. Edge-to-edge front glass allows for fast disinfection and quick surgery room turnaround. Ingress protection rating of 33 protects components against solid or liquid contamination.

FS-A2702DT



FS-A2702DST



27" FHD Medical Touchscreen Display

FS-A2702DT, FS-A2702DST

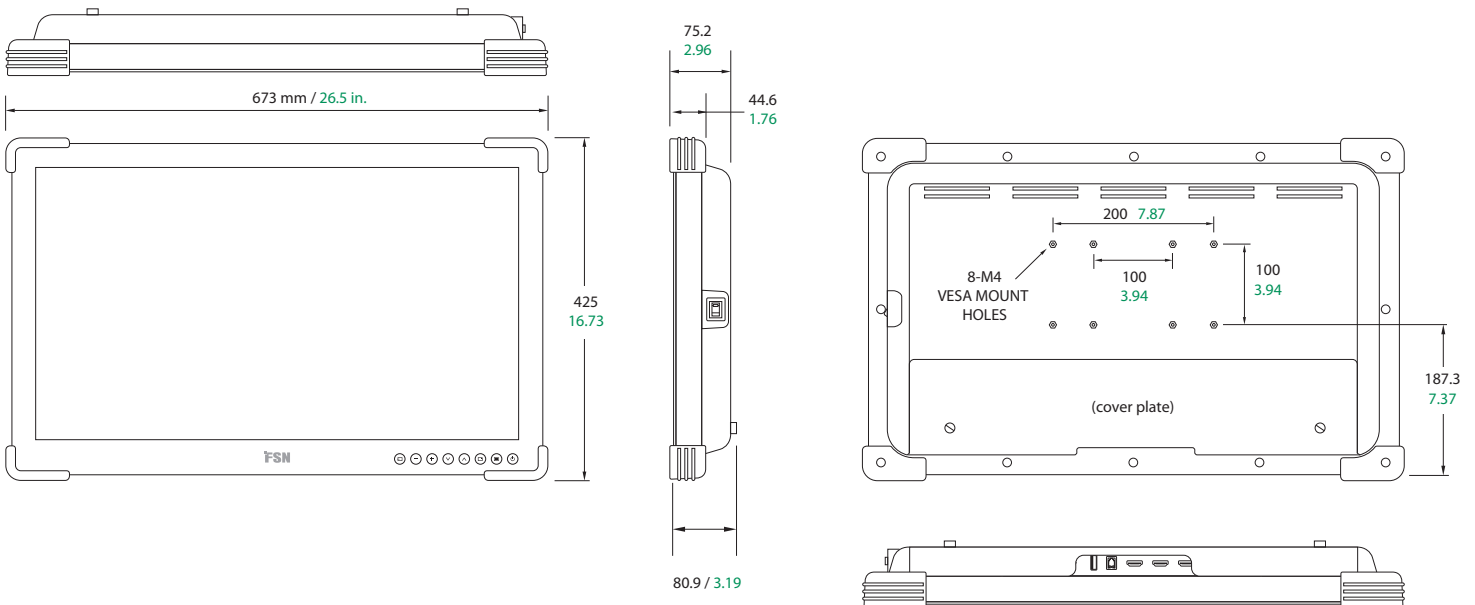


Specifications

General Features

Item	Description
Panel	27 inch TFT LCD (LED)
Resolution	1920 x 1080 pixels
Aspect Ratio	16 : 9
Active Area	597.89 (H)mm x 336.31 (V)mm
Touchscreen	10 point projected capacitive USB (2.0)
Pixel Pitch (mm)	0.3114 x 0.3114
Response Time (typical)	14 ms (gray to gray)
Number of Colors	1.07 billion
Brightness (typical)	700 cd/m ²
Gamut	BT.709 calibrated
Contrast Ratio (typical)	1000 : 1
Surface Treatment	Anti-reflection, anti-fingerprint
Viewing Angle (CR>10)	R/L 178°, U/D 178°
Input Signal	FS-A2702DT 2 x HDMI (1.4) 1 x DP (1.2)
	FS-A2702DST 2 x HDMI (1.4) 1 x DP (1.2) 2 x SDI (3G. HD, SD)

Item	Description
Output Signal	FS-A2702DT 1 x HDMI (1.4)
	FS-A2702DST 1 x HDMI (1.4) 2 x SDI (3G. HD, SD)
Power Supply	AC/DC Adaptor (AC 100~240V, DC 24V/6.6A)
Power Consumption	120W max
Latency (typical)	2 ms max
Accessories Included	User manual, AC-DC adaptor, AC power cord, HDMI cable, USB cable, SDI cable (FS-A2702DST), Screw BH M4 x 14
Unit Dimension	673(W) x 425(H) x 75.2(D) mm 26.49(W) x 16.73(H) x 2.96(D) inch
Package Dimension	743(W) x 653(H) x 227(D) mm 29.25(W) x 25.71(H) x 8.94(D) inch
IP Rating	IP33 - overall
Weight	FS-A2702DT 8.52 kg, 18.78 lbs. (monitor with cover) 13 kg, 28.66 lbs. (shipping package)
	FS-A2702DST 8.67 kg, 19.11 lbs. (monitor with cover) 13.3 kg, 29.32 lbs. (shipping package)
Certifications	ANSI/AAMI ES60601-1 (UL60601-1), CAN/CSA C22.2 No. 60601-1, FCC Class B, EN60601-1, EN60601-1-2, CE, MDR(EU) 2017/745 Class I Medical Device



FSN Medical Technologies products meet EU RoHS Directive 2011/65/EU+2015/863/EU and Registration, Evaluation, Authorisation and Restriction of Chemicals (REACH) obligations. FSN manages the information flow as required by regulations.

Specifications are subject to change with or without notice. Doc. # FSN2083 Rev. 2/24

fsnmed.com

Foreseeson Custom Displays, Inc.

2210 E. Winston Road
Anaheim, CA 92806 USA
Tel: 714-300-0540
Fax: 714-300-0546

Latin America
Aventura, FL 33180 USA
Tel: 714-507-3855

Foreseeson Korea

B-408, U-Space2
670 Daewangpangyo-ro,
Bundang-gu, Seongnam-si
Gyeonggi-do, Republic of Korea
Tel: +82-31-8017-0780

Foreseeson GmbH

Industriestrasse 38a
63150 Heusenstamm, Germany
Tel: +49 6104 64398 0
Fax: +49 6104 64398 11

Foreseeson UK Ltd.

1 Wolsey Road
East Molesey
Surrey
KT8 9EL
United Kingdom
Tel: +44 (0) 208 546 1047

Foreseeson (Shanghai)

Medical Equipment Co., Ltd.
Room 1010, Building A
1439 Wuzhong Road
Rhein Hongjing Center
Minhang District, Shanghai, China
Tel: 18521095596