

# 32" 4K Medical Display

**FM-E3203D FM-E3203DG**

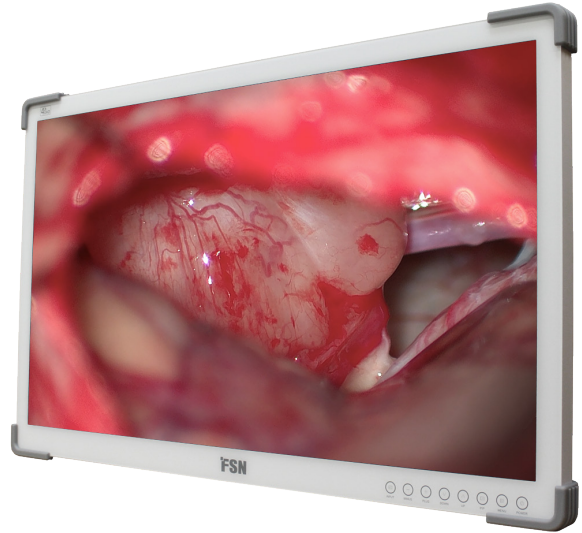


- *Vivid colors plus high brightness level.*
- *Protective corner guards add safety to active ORs.*
- *Fast detection of MIS camera system video.*

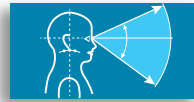


### See Every Detail

The 4K UHD technology found in this monitor produces ultra-sharp picture clarity and high levels of detail. This greatly enhances images from endoscopic camera systems. The input source options on this monitor include DVI, HDMI, and DisplayPort. The FM-E3203DG model adds 3G and 12G SDI to the impressive selection of signal input choices.

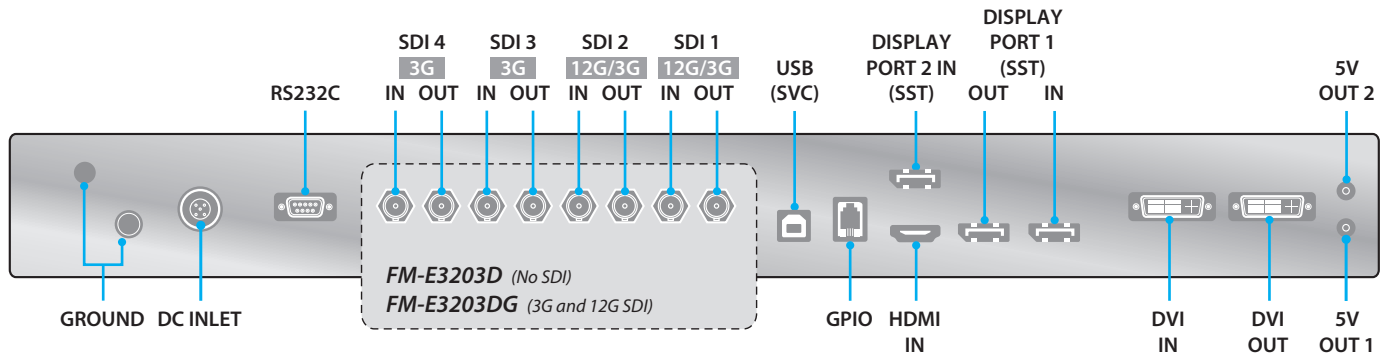


Edge-to-edge protective front glass gives this monitor a slim, sleek appearance, and allows for easy cleaning of the front surface. Protective guards on the bezel corners help reduce bumping injuries, especially in today's active operating room environments. A back cable cover is provided with each monitor to manage cords and wires.



### Ergonomic Design

If an installation requires additional components to be used with the monitor, such as fiber optic or wireless receivers, there are built-in connections for DC 5 volt power. FSN monitors are designed with maximum viewing angles, allowing several clinicians to view the display in the same room without loss of image quality or distortion.



[www.fsnmed.com](http://www.fsnmed.com)

#### Foreseeson Custom Displays, Inc.

2210 E. Winston Road  
Anaheim, CA 92806 USA  
Tel: 714-300-0540  
Fax: 714-300-0546

Latin America  
Aventura, FL 33180 USA  
Tel: 714-507-3855

#### Foreseeson Korea

B-408, U-Space2  
670 Daewangpangyo-ro,  
Bundang-gu, Seongnam-si  
Gyeonggi-do, Republic of Korea  
Tel: +82-31-8017-0780

#### Foreseeson GmbH

Industriestrasse 38a  
63150 Heusenstamm, Germany  
Tel: +49 6104 64398 0  
Fax: +49 6104 64398 11

#### Foreseeson UK Ltd.

1 Wolsey Road  
East Molesay  
Surrey  
KT8 9EL  
United Kingdom  
Tel: +44 (0) 208 546 1047

#### Foreseeson (Shanghai)

Medical Equipment Co., Ltd.  
Room 1010, Building A  
1439 Wuzhong Road  
Rhein Hongjing Center  
Minhang District, Shanghai, China  
Tel: 18521095596

# 32" 4K Medical Display

**FM-E3203D FM-E3203DG**

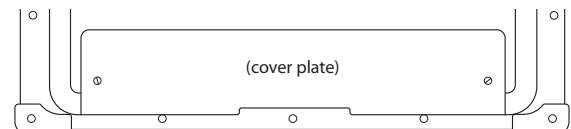
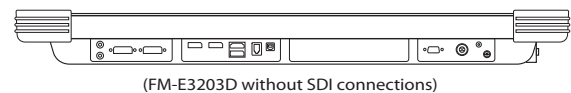
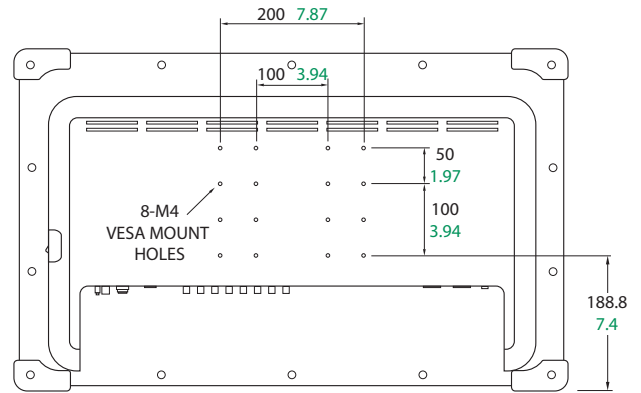
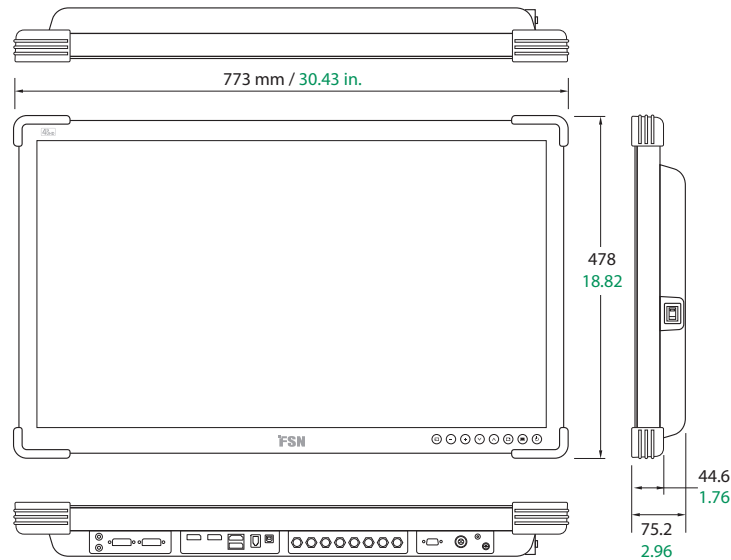


## Specifications

### General Features

Item	Description
Panel	32 inch TFT LCD (LED)
Resolution	3840 x 2160 pixels
Aspect Ratio	16 : 9
Active Area	708.48 (H)mm x 398.82 (V)mm
Pixel Pitch (mm)	0.1845 x 0.1845
Response Time (typical)	8 ms (rise time)
Number of Colors	1.07 Billion
Brightness (typical)	700 cd/m <sup>2</sup>
Calculated Gamut	BT.709 and BT.2020 compatible
Contrast Ratio (typical)	1350 : 1
Surface Treatment	Anti-reflection, anti-fingerprint
Viewing Angle (CR>10)	R/L 178°, U/D 178°
Input Signal	1 x HDMI 2.0
	2 x DP 1.2 (SST)
	1 x DVI (single link)
	4 x SDI (3G), 2 x SDI (12G) available on FM-E3203DG

Item	Description
Output Signal	1 x DP 1.2 (SST)
	1 x DVI (single link)
	4 x SDI (3G), 2 x SDI (12G) available on FM-E3203DG
Power Supply	AC/DC Adaptor (AC 100~240V, DC 24V/6.6A)
Power Consumption	FM-E3203D 105W max FM-E3203DG 125W max
Accessories Included	User manual, AC-DC adaptor, AC power cord, DP cable, HDMI cable, DVI-D cable, BNC cable (SDI models), Screw BH M4 x 14
Latency	9 ms
Unit Dimension	773(W) x 478(H) x 75.2(D) mm 30.43(W) x 18.82(H) x 2.96(D) inch
Package Dimension	914.4(W) x 749.3(H) x 234.95(D) mm 36(W) x 29.5(H) x 9.25(D) inch
IP Rating	IP33 - overall, IP44 - front side only
IK Rating	IK07 with 5H AR glass
Weight	FM-E3203D 11.56 kg, 25.49 lbs. (monitor with cover) 16.83 kg, 37.10 lbs. (shipping package)
	FM-E3203DG 11.80 kg, 26.01 lbs. (monitor with cover) 17.5 kg, 38.58 lbs. (shipping package)
Certifications	ANSI/AAMI ES60601-1 (UL60601-1), CAN/CSA C22.2 No. 60601-1, FCC Class B, EN60601-1, EN60601-1-2, CE, MDR(EU) 2017/745 Class I Medical Device



FSN Medical Technologies products meet EU RoHS Directive 2011/65/EU+2015/863/EU and Registration, Evaluation, Authorisation and Restriction of Chemicals (REACH) obligations. FSN manages the information flow as required by regulations.