

# 31.5" 4K Medical Display

**FS-P3102D FS-P3102DS FS-P3102DG**



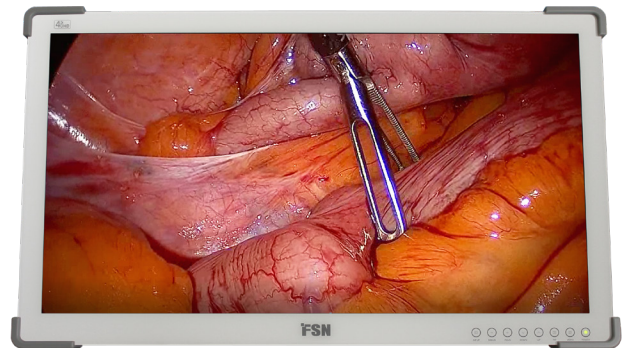
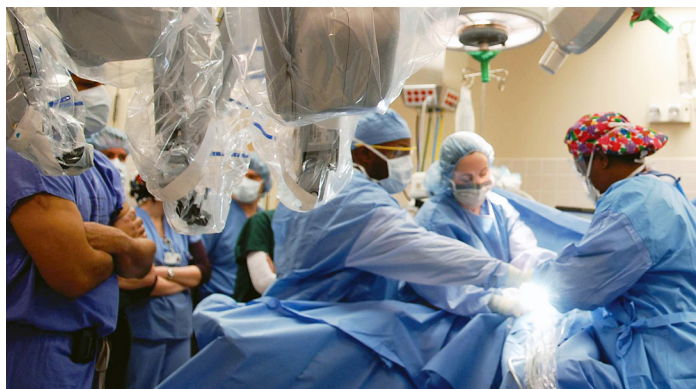
- 4K DCI (4096 wide pixel resolution).
- Optical bonding for the best image.
- Backward compatibility with HD and SD.

The FS-P3102D series of surgical displays from FSN offers everything needed to present the best possible images to medical professionals.



## 4K Video Ready

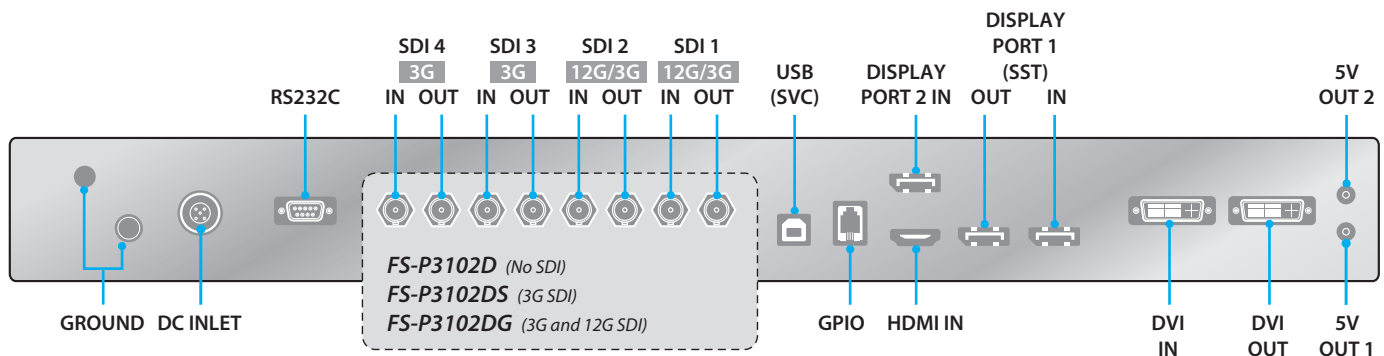
Depending on the preferred model, compatible signal/connector types include HDMI, DisplayPort, DVI, or SDI. Multiple images can be shown together on the same screen, using PIP or PBP. Using optional SDI connections, there are quad screen layout settings which support 2-sample interleave or square division. Multi-screen viewing provides simultaneous reference to different image modalities that may be required during a procedure.



## Designed for Human Interaction

The FS-P3102D series is designed with edge-to-edge protective front glass. This gives the monitor its slim, sleek appearance, and allows for easy cleaning of the monitor's front surface. Bezel corner bumpers help guard against injuries, especially in today's active operating room environments. A back cable cover is provided with each monitor to manage cords and wires.

FSN goes to great lengths to assure that monitor viewing angles remain as high as possible. This means that several clinicians can view the display in the same room without distortion or loss of image quality.



[www.fsnmed.com](http://www.fsnmed.com)

Foreseeson Custom Displays, Inc.  
2210 E. Winston Road  
Anaheim, CA 92806 USA  
Tel: 714-300-0540  
Fax: 714-300-0546

Latin America  
Aventura, FL 33180 USA  
Tel: 714-507-3855

Foreseeson Korea  
404B, Pangyo-innovalley B  
253 Pangyo-ro  
Bundang-gu Seongnam-si  
Gyeonggi-do, Korea 463-400  
Tel: +82-31-8018-0780  
Fax: +82-31-8018-0786

Foreseeson GmbH  
Industriestrasse 38a  
63150 Heusenstamm, Germany  
Tel: +49 6104 64398 0  
Fax: +49 6104 64398 11

Foreseeson UK Ltd.  
1 Wolsey Road  
East Molesay  
Surrey  
KT8 9EL  
United Kingdom  
Tel: +44 (0) 208 546 1047

Foreseeson (Shanghai)  
Medical Equipment Co., Ltd.  
Room 1010, Building A  
1439 Wuzhong Road  
Rhein Hongjing Center  
Minhang District, Shanghai, China  
Tel: 18521095596

# 31.5" 4K Medical Display

**FS-P3102D FS-P3102DS FS-P3102DG**

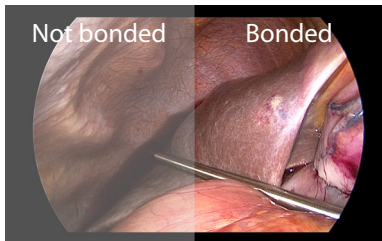
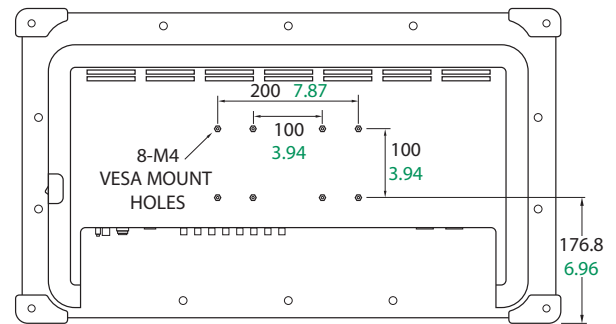
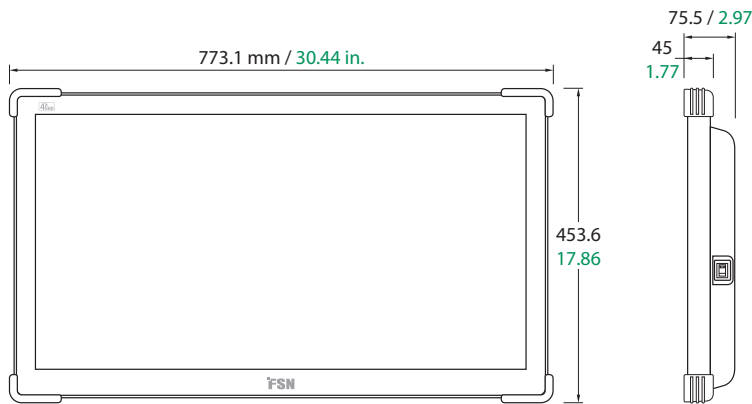


## Specifications

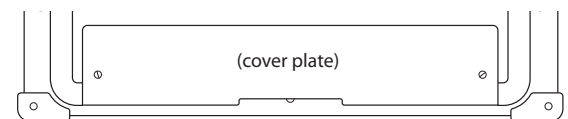
### General Features

Item	Description
Panel	31 inch TFT LCD (LED)
Resolution	4096 x 2160 pixel
Aspect Ratio	17 : 9
Active Area	697.958 (H)mm x 368.064 (V)mm
Pixel Pitch (mm)	0.1704 x 0.1704
Response Time (typical)	11 ms (rise time)
Number of Colors	1.07 Billion
Brightness (typical)	350 cd/m <sup>2</sup>
Gamut	BT.709 and BT.2020 compatible
Contrast Ratio (typical)	1500 : 1
Surface Treatment	Anti-reflection, anti-fingerprint
Viewing Angle (CR>10)	R/L 178°, U/D 178°
Input Signal	FS-P3102D 1 x HDMI 2.0 1 x DP 1.2 (SST), 1 x DP 1.2 (MST) 1 x DVI (single link)
	FS-P3102DS 1 x HDMI 2.0 1 x DP 1.2 (SST), 1 x DP 1.2 (MST) 1 x DVI (single link) 4 x SDI (3G)
	FS-P3102DG 1 x HDMI 2.0 2 x DP 1.2 (SST) 1 x DVI (single link) 4 x SDI (3G), 2 x SDI (12G)

Item	Description
Output Signal	FS-P3102D 1 x DP 1.2 (SST) 1 x DVI (single link)
	FS-P3102DS 1 x DP 1.2 (SST) 1 x DVI (single link) 4 x SDI (3G)
	FS-P3102DG 1 x DP 1.2 (SST) 1 x DVI (single link) 4 x SDI (3G), 2 x SDI (12G)
Power Supply	AC/DC Adaptor (AC 100~240V, DC 24V/6.6A)
Power Consumption	FS-P3102D 90W max FS-P3102DS 110W max FS-P3102DG 110W max
Accessories Included	User manual, AC-DC adaptor, AC power cord, DP cable, HDMI cable, DVI-D cable, BNC cable (SDI models), Screw BH M4 x 14
Unit Dimension	773.1(W) x 453.6(H) x 75.5(D) mm 30.44(W) x 17.86(H) x 2.97(D) inch
Package Dimension	914.4(W) x 749.3(H) x 234.95(D) mm 36(W) x 29.5(H) x 9.25(D) inch
IP Rating	IP33 - overall, IP44 - front side only
IK Rating	IK07 with 5H AR glass
Weight	FS-P3102D 10.62 kg, 23.41 lbs. (monitor with cover) 16.46 kg, 36.29 lbs. (shipping package)
	FS-P3102DS 11.24 kg, 24.78 lbs. (monitor with cover)
	FS-P3102DG 17.34 kg, 38.23 lbs. (shipping package)
Certifications	ANSI/AAMI ES60601-1(UL60601-1), CAN/CSA C22.2 No. 60601-1, FCC Class B, EN60601-1, EN60601-1-2, CE, MDR(EU) 2017/745 Class I Medical Device



FSN's optical bonding process (right) improves contrast ratio and brightness, and increases humidity resistance and breakage resistance.



FSN Medical Technologies products meet EU RoHS Directive 2011/65/EU+2015/863/EU and Registration, Evaluation, Authorisation and Restriction of Chemicals (REACH) obligations. FSN manages the information flow as required by regulations.